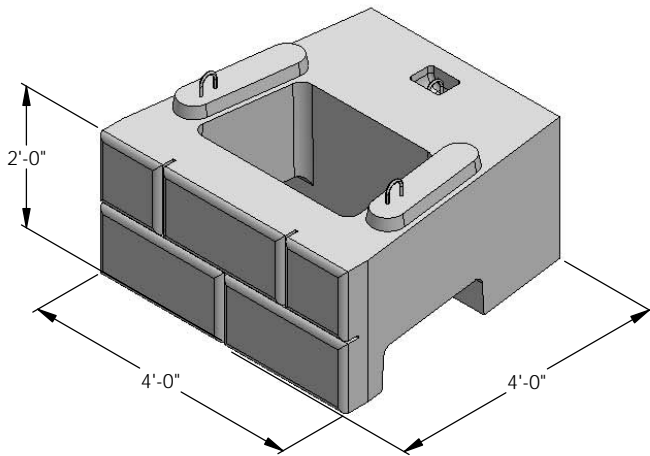


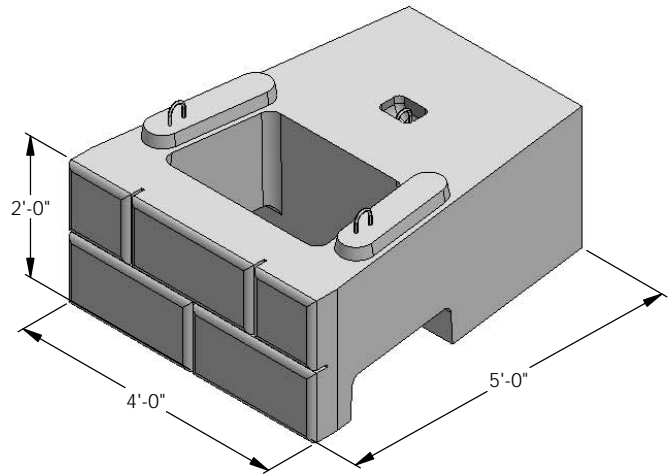
MASS EXTENDER REGULAR BLOCK SERIES

48" MASS EXTENDER



BLOCK WEIGHT
2,674 LBS

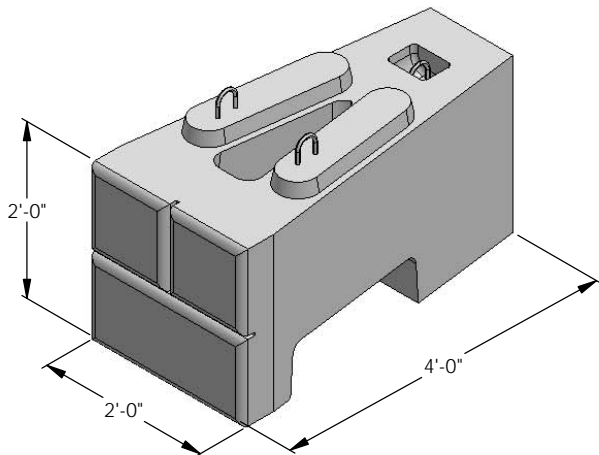
60" MASS EXTENDER



BLOCK WEIGHT
3,509 LBS

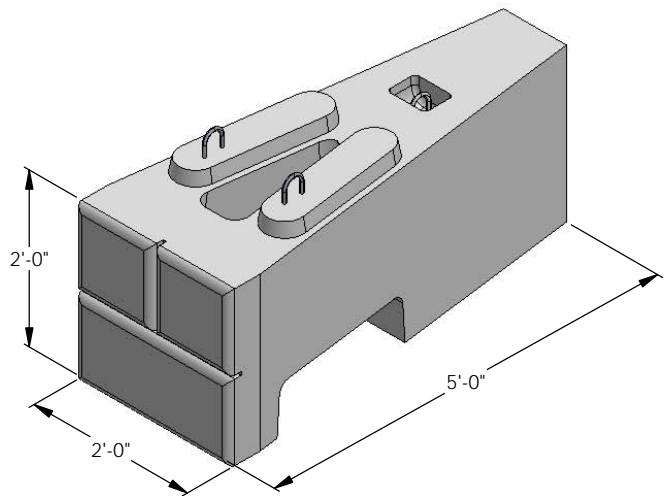
MASS EXTENDER HALF BLOCK SERIES

48" HALF BLOCK MASS EXTENDER



BLOCK WEIGHT
1,392 LBS

60" HALF BLOCK MASS EXTENDER



BLOCK WEIGHT
1,661 LBS



DRAWN BY	DATE
RYAN FONTANESI	5/23/2016

16500 SOUTH 500 WEST
BLUFFDALE, UTAH 84065
PHONE: (801) 571-2028

TITLE:
MASS EXTENDER BLOCK SERIES

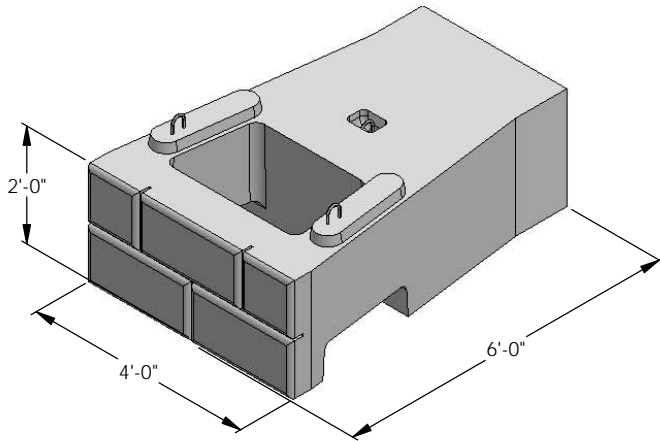
DWG NO.	BD-05
---------	-------

SCALE: 1: 20

SHEET 1 OF 2

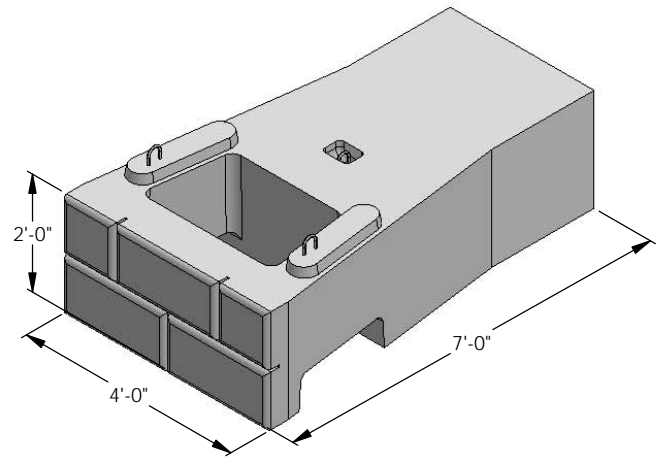
MASS EXTENDER REGULAR BLOCK SERIES CONT.

72" MASS EXTENDER



BLOCK WEIGHT
4,300 LBS

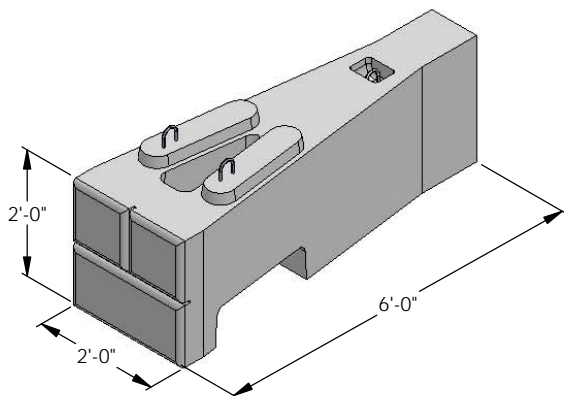
84" MASS EXTENDER



BLOCK WEIGHT
5,100 LBS

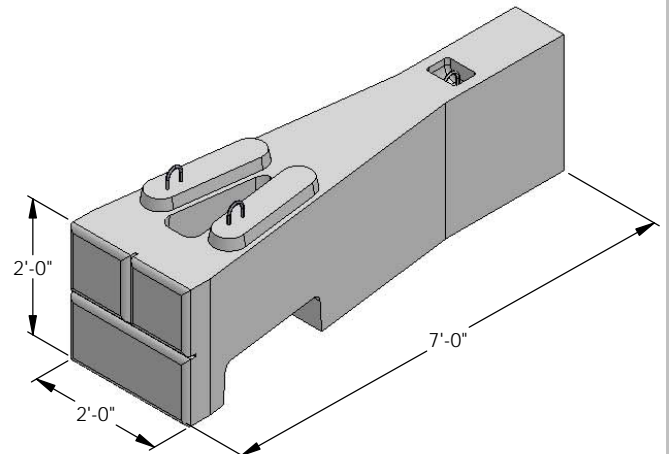
MASS EXTENDER HALF BLOCK SERIES CONT.

72" HALF BLOCK MASS EXTENDER



BLOCK WEIGHT
1,905 LBS

84" HALF BLOCK MASS EXTENDER



BLOCK WEIGHT
2,140 LBS



DRAWN BY

RYAN FONTANESI

DATE

5/23/2016

TITLE:

MASS EXTENDER BLOCK SERIES

DWG NO.

BD-05

16500 SOUTH 500 WEST
BLUFFDALE, UTAH 84065
PHONE: (801) 571-2028

SCALE: 1: 20

SHEET 2 OF 2