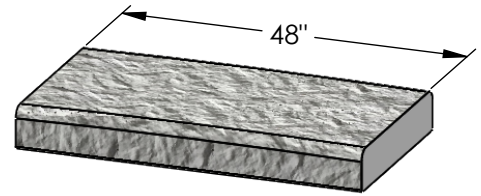
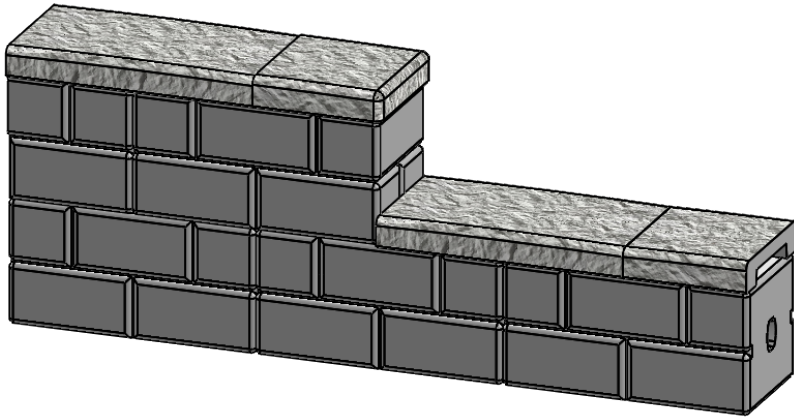
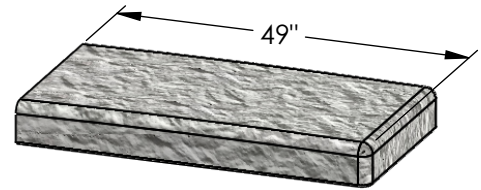


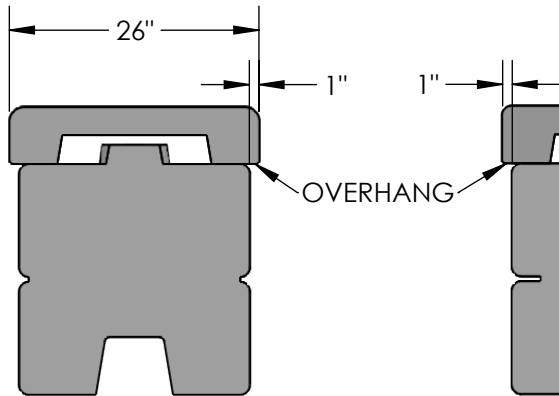
# 6" CAP BLOCK DETAIL



2-SIDED CAP



3-SIDED CAP



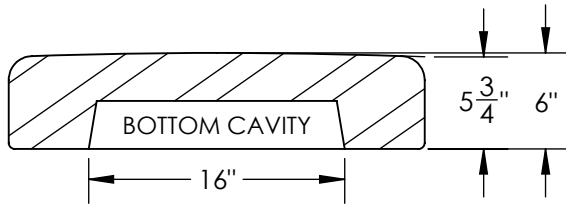
2&3 SIDED BLOCK WITH CAP

STANDARD BLOCK WITH CAP

NOTE: CONFLICTING AREA REQUIRES 13" SHEAR LUG BLOCKOUT OR SAW CUT\* AND REMOVAL OF R-ANCHOR.

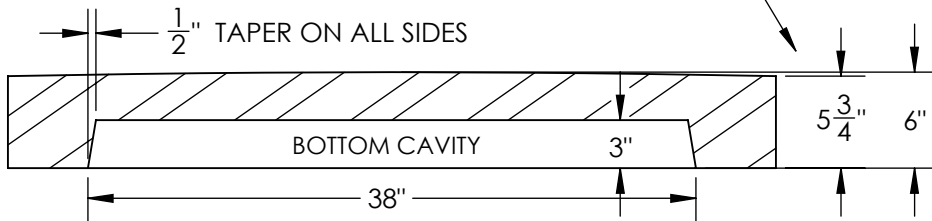
\*SEE SHEAR LUG MODIFICATION GUIDE

2-SIDED CAP FRONT SECTION VIEW



NOTE: CAP THICKNESS TAPERS FROM 6" (AT CENTER) TO 5-3/4" (AT EDGES) TO ALLOW FOR WATER RUNOFF.

2-SIDED CAP SIDE SECTION VIEW



DRAWN BY: RYAN STUCKI  
 DATE: 8/28/2019  
 16120 S. PONY EXPRESS RD  
 BLUFFDALE, UTAH 84065  
 PHONE: (801) 571-2028

TITLE: 6" CAP BLOCK  
 CB-02  
 DWG NO.:  
 SCALE: NA  
 REVISION: 01  
 SHEET 1 OF 1