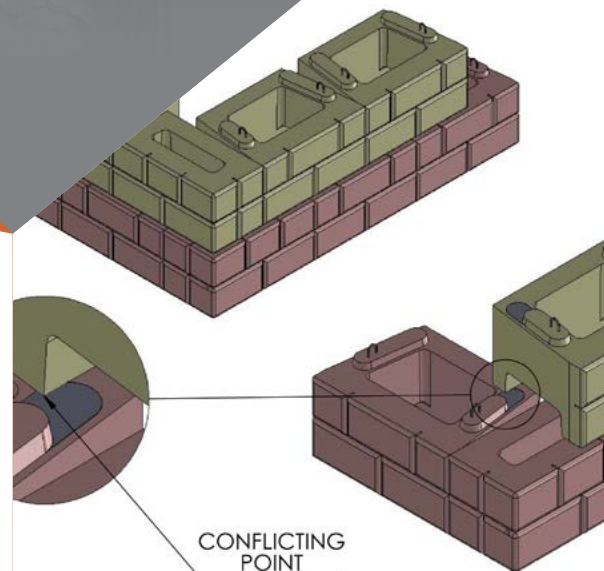
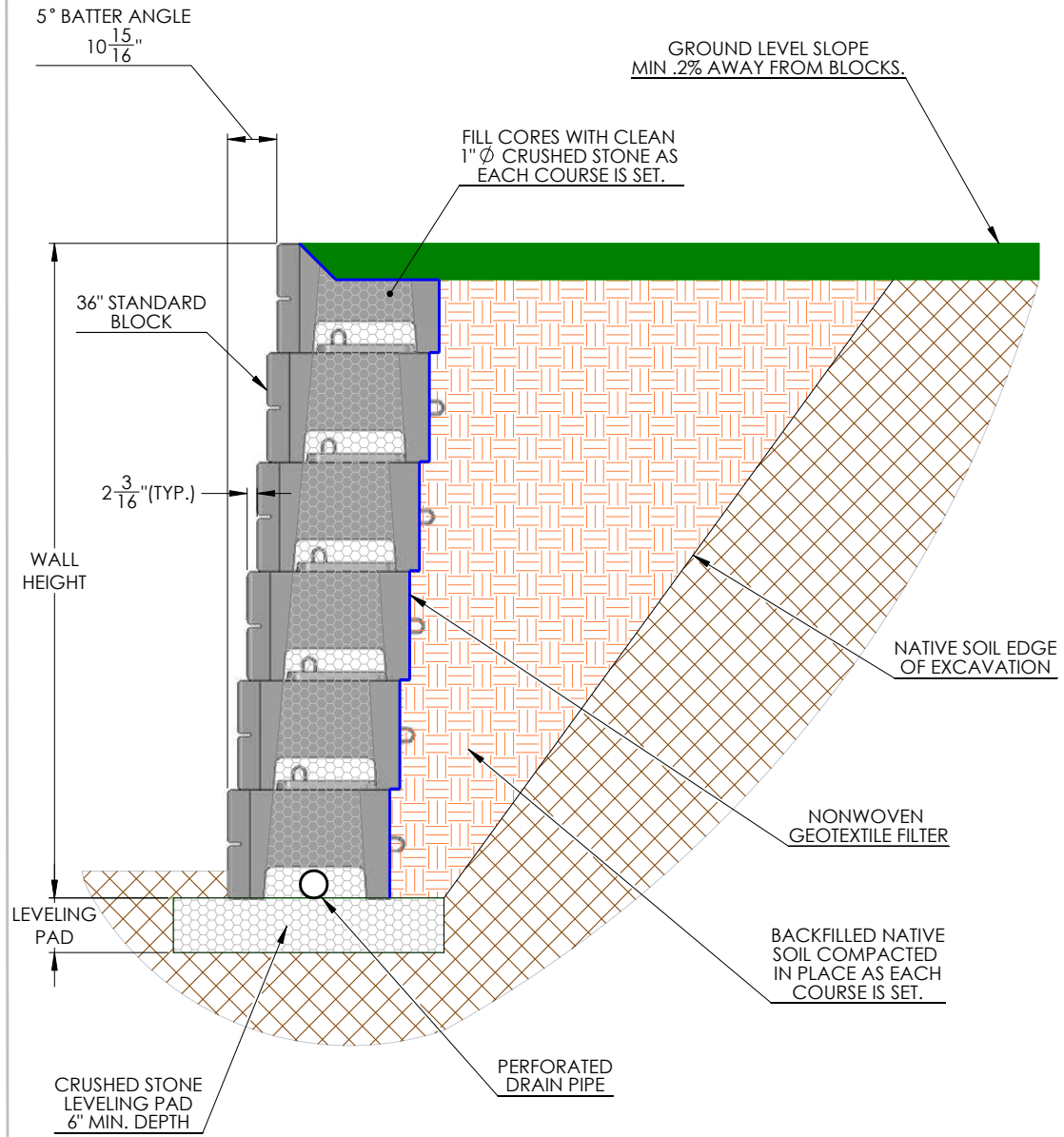


Design Manual: Construction Drawings

Section 5

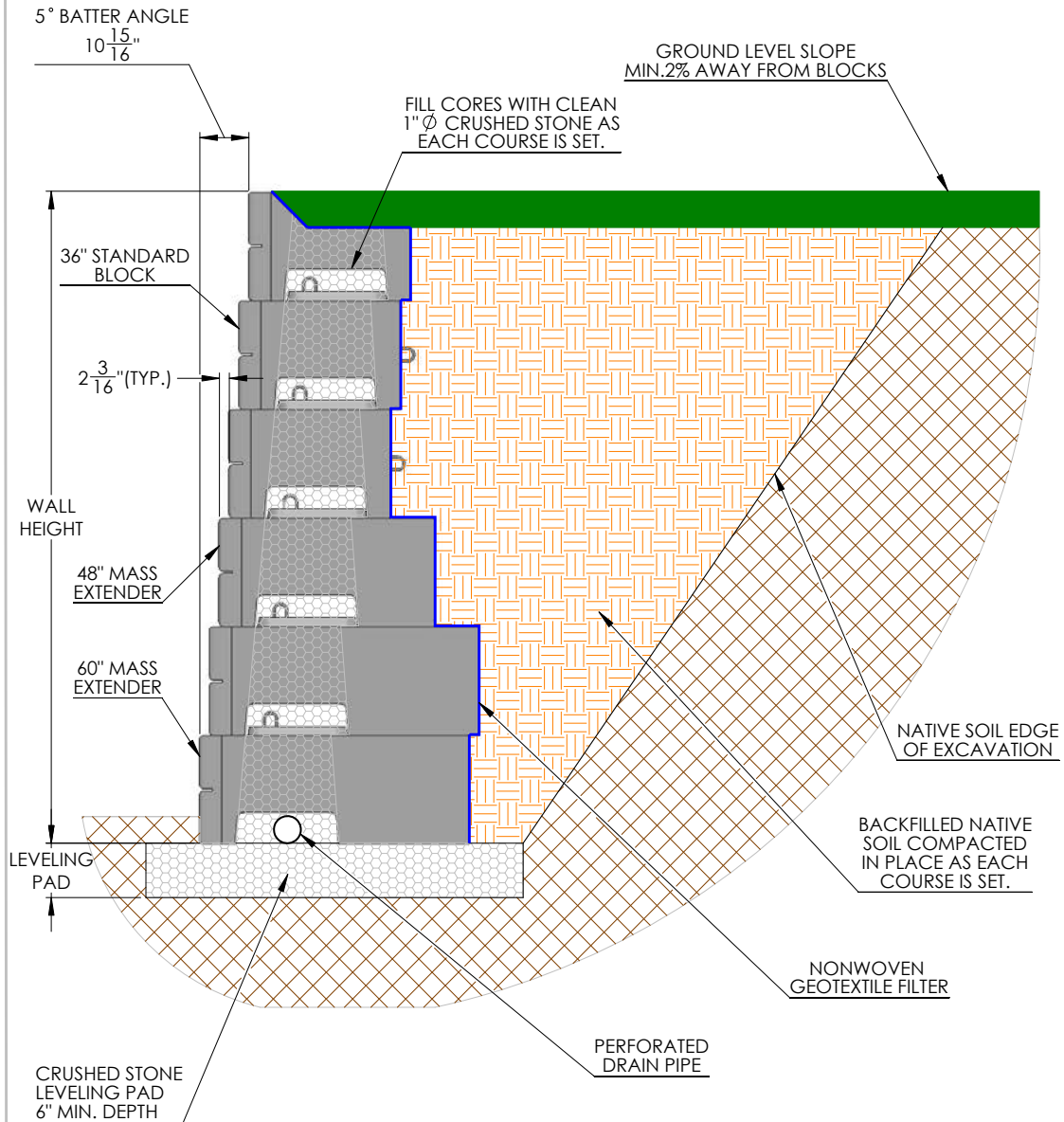


TYPICAL GRAVITY WALL WITH 36" VERTI-BLOCK



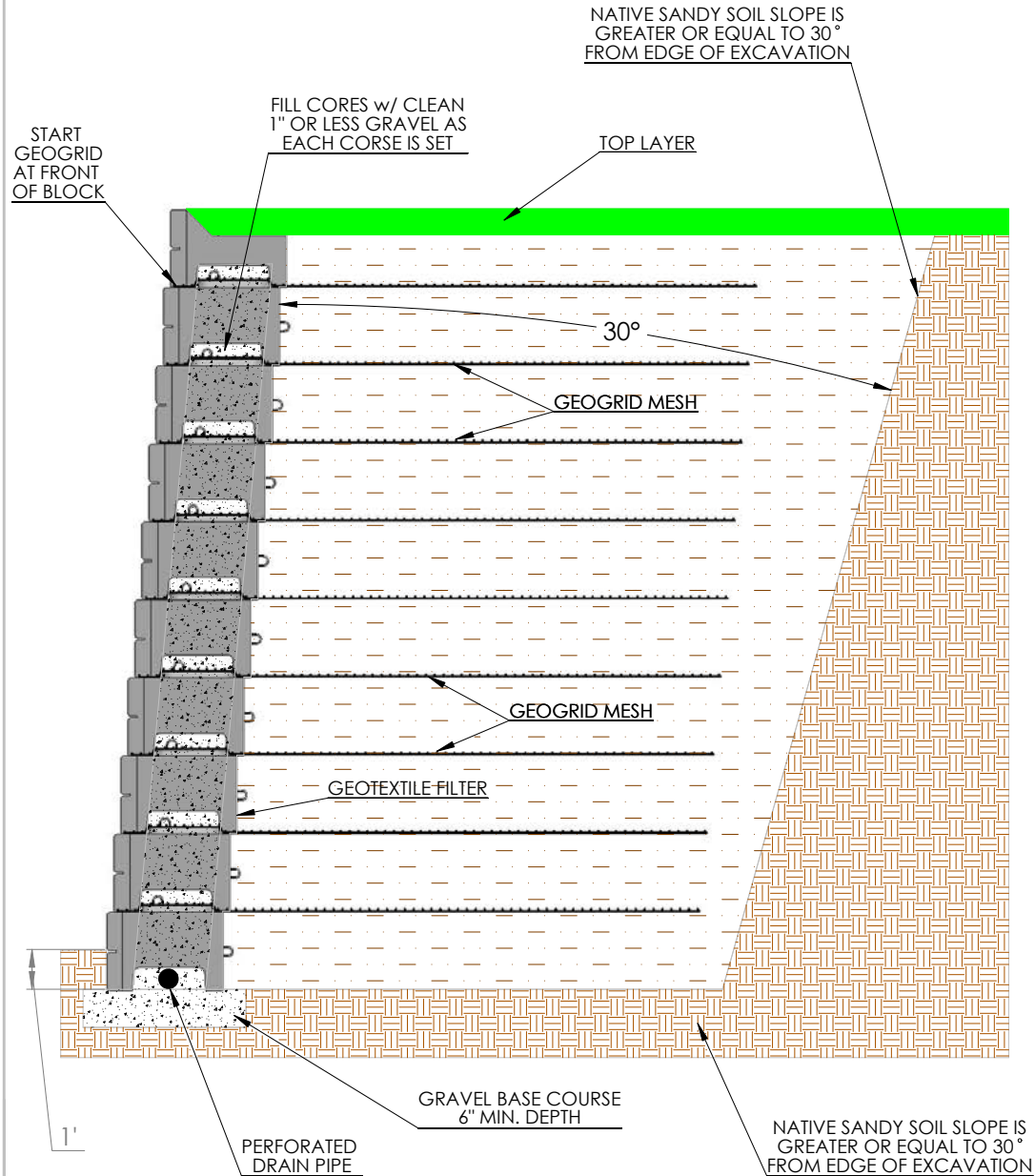
DRAWN BY	DATE	TITLE:
DAN BALLING	12/30/2013	12' RETAINING SECTION
16500 SOUTH 500 WEST BLUFFDALE, UTAH 84065 PHONE: (801) 571-2028		DWG NO.
		WD-14
SCALE: 1: 30		SHEET 1 OF 1

TYPICAL GRAVITY WALL WITH VERTI-BLOCK MASS EXTENDERS



DRAWN BY	DATE	TITLE:
DAN BALLING	12/30/2013	12' SECTION W/ MASS EXTENDERS
16500 SOUTH 500 WEST BLUFFDALE, UTAH 84065 PHONE: (801) 571-2028		DWG NO.
		WD-15
SCALE: 1:30		SHEET 1 OF 1

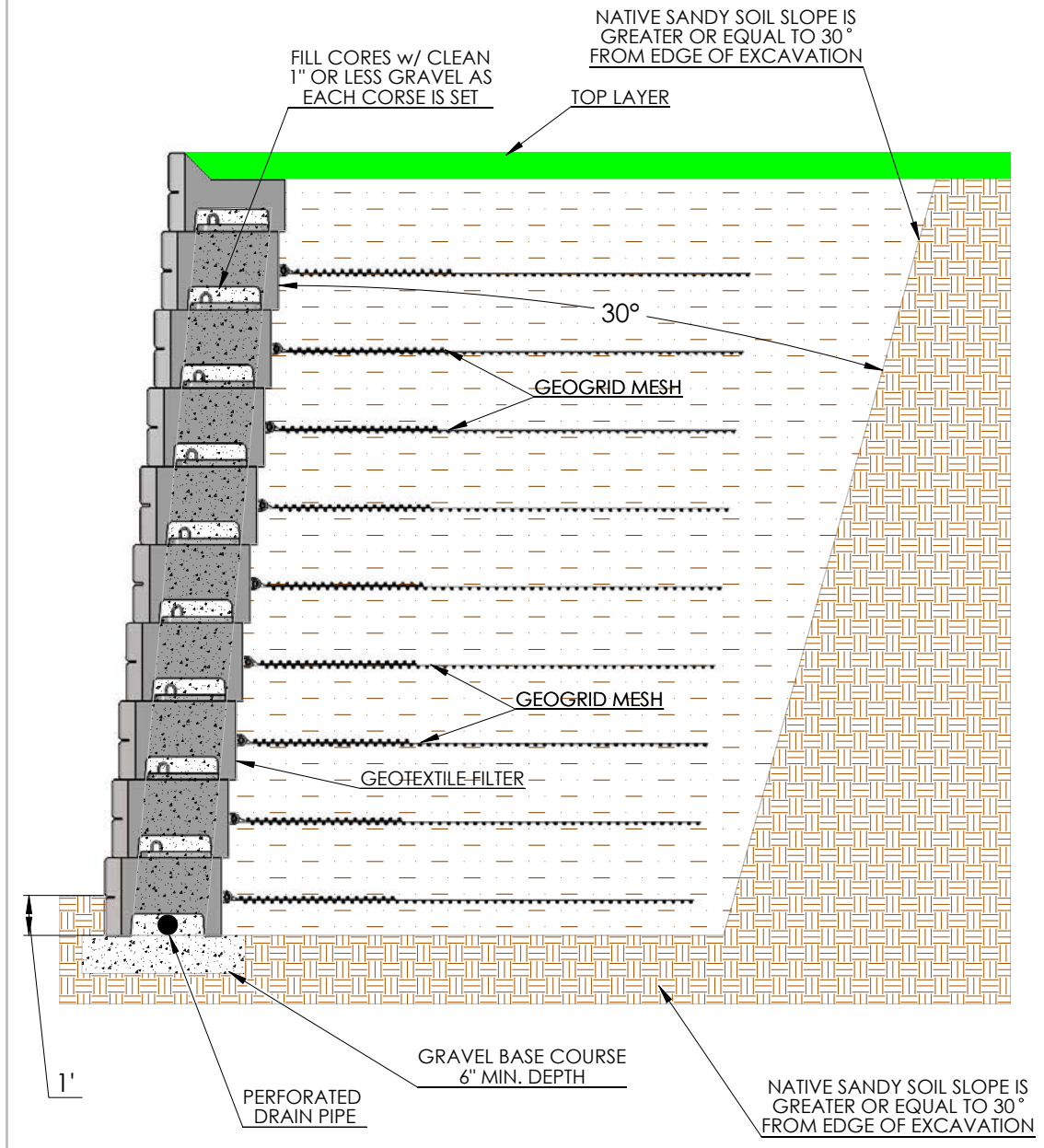
20' GEOGRID FRICTION CONNECTION



DRAWN BY	DATE
DAN BALLING	12/12/2013
16500 SOUTH 500 WEST BLUFFDALE, UTAH 84065 PHONE: (801) 571-2028	

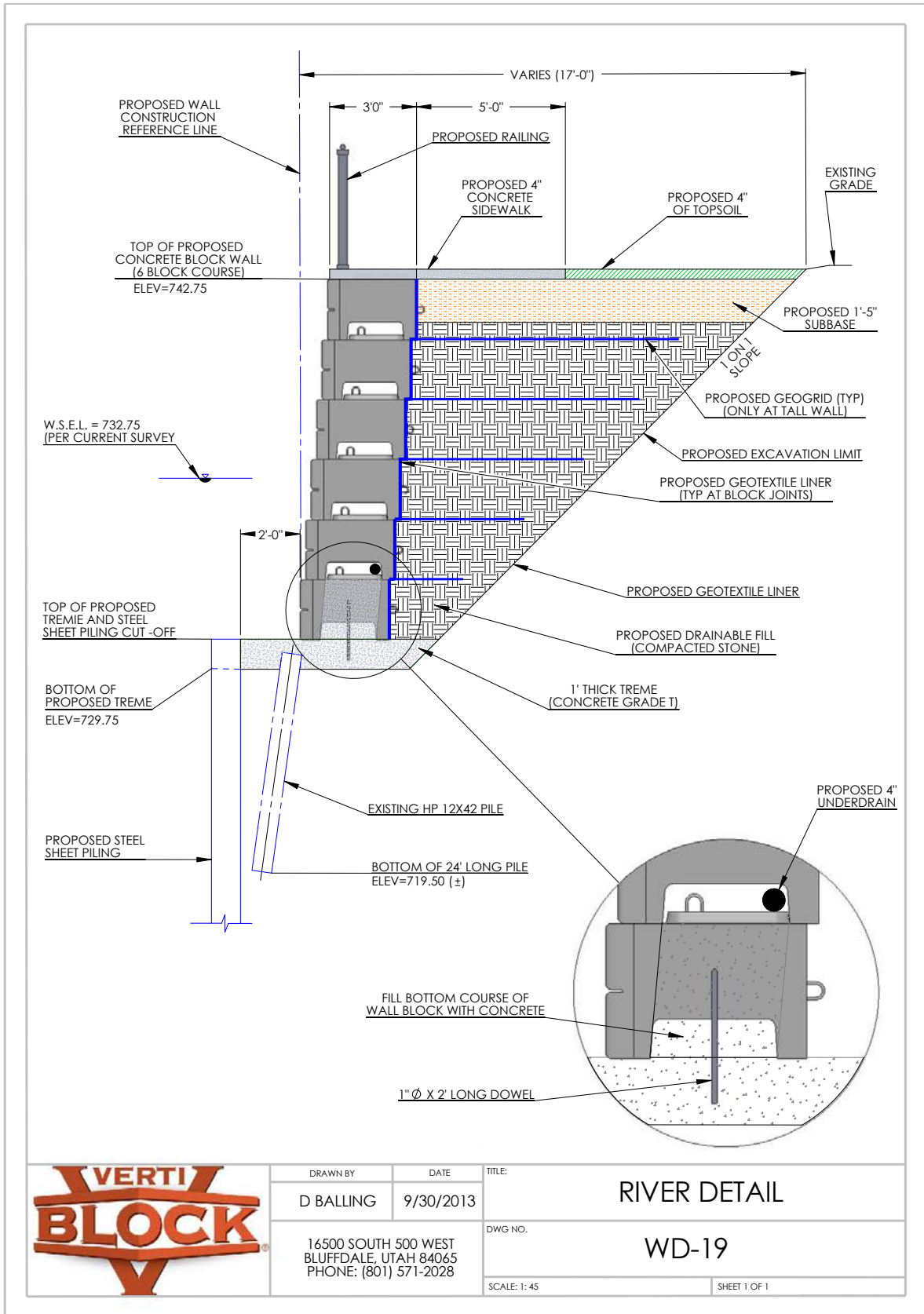
TITLE:	20' FRICTION DETAIL
DWG NO.	M-03
SCALE: 1: 42	SHEET 1 OF 1

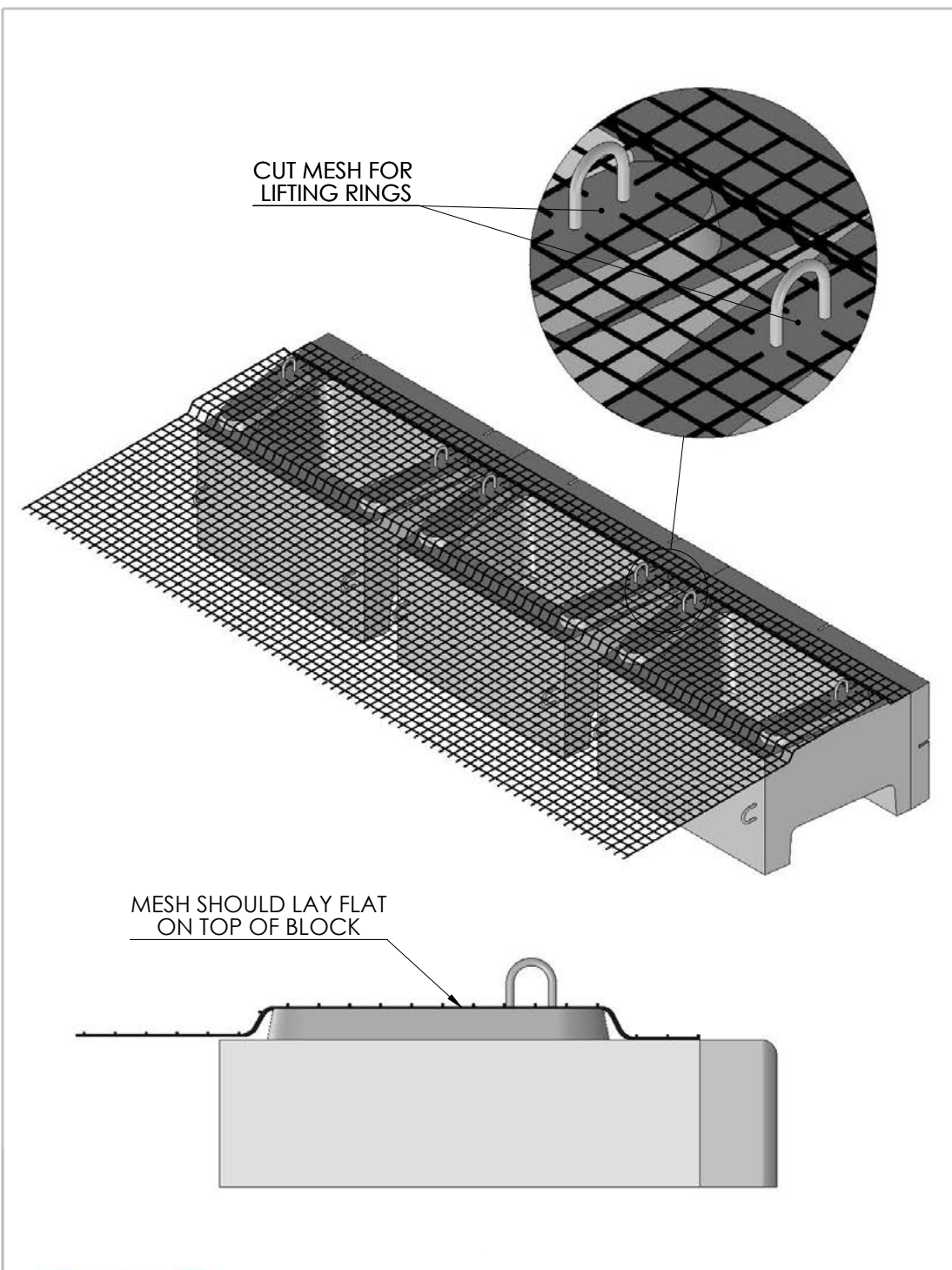
20' GEOGRID POSITIVE CONNECTION



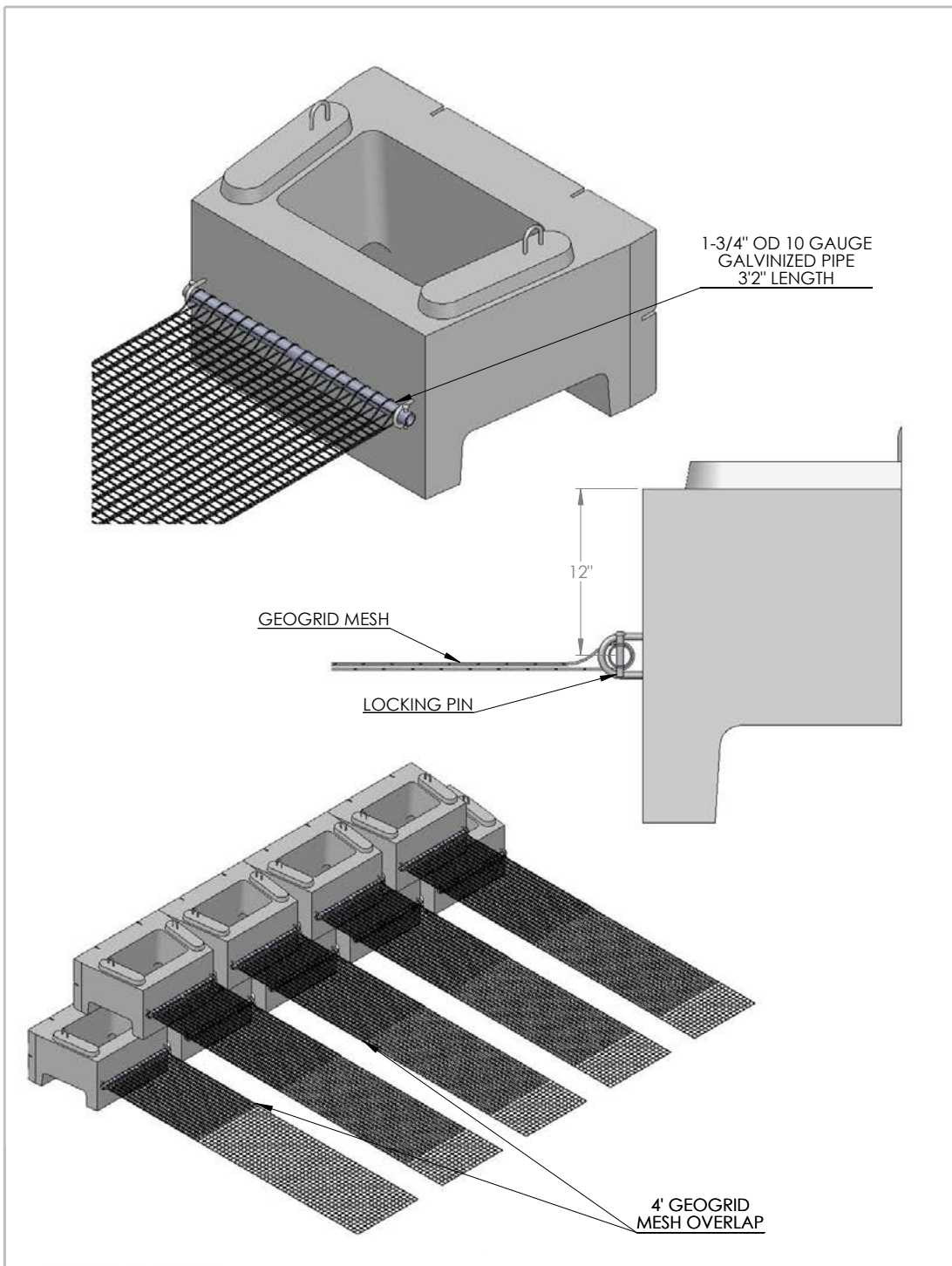
DRAWN BY	DATE	TITLE:
DAN BALLING	12/12/2013	20' POSITIVE CONNECTION
16500 SOUTH 500 WEST BLUFFDALE, UTAH 84065 PHONE: (801) 571-2028		DWG. NO.
		M-04
SCALE: 1: 15		SHEET 1 OF 1

Construction Drawings

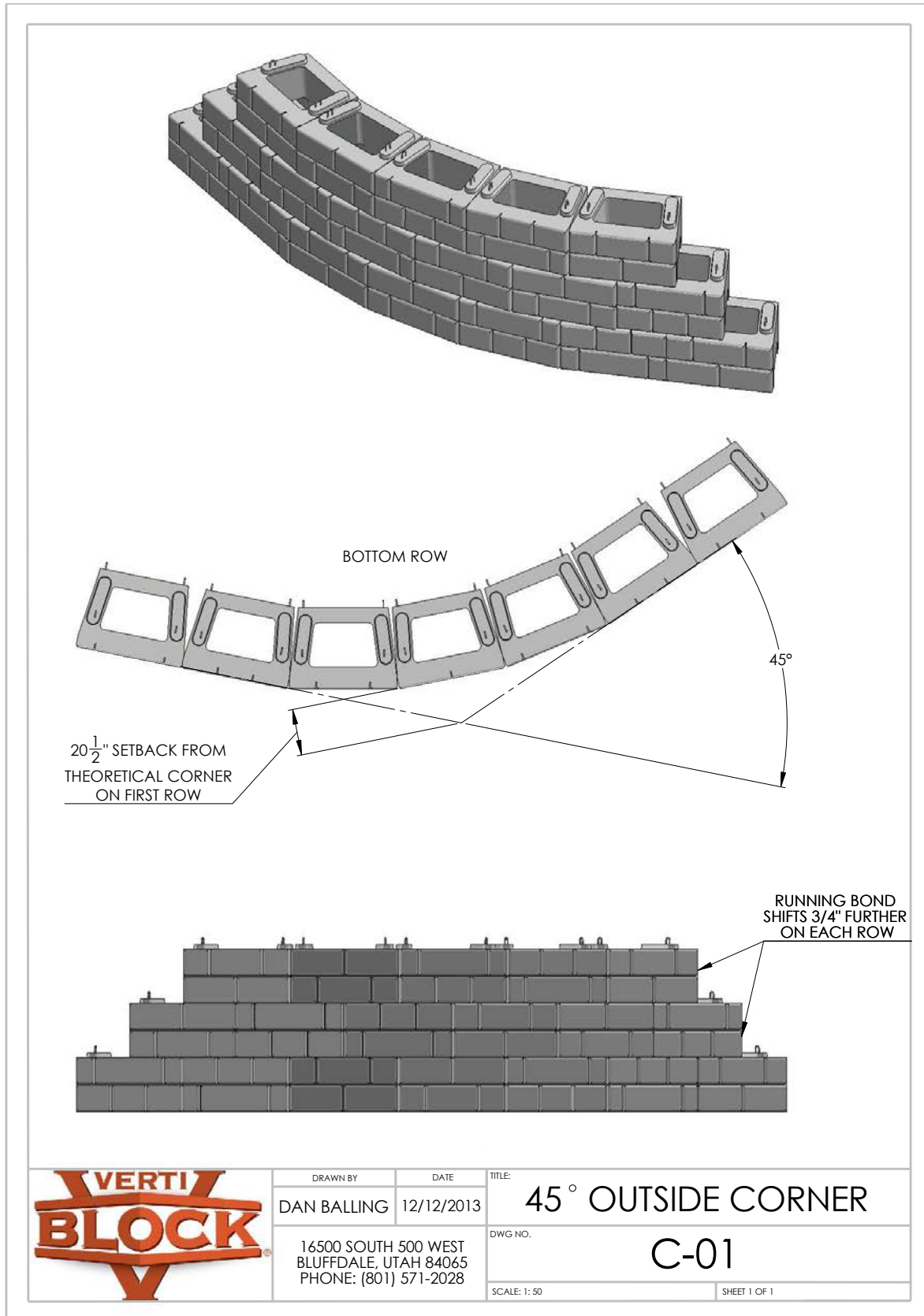




	DRAWN BY	DATE	TITLE
	DAN BALLING	12/12/2013	FRICITION CONNECTION
16500 SOUTH 500 WEST BLUFFDALE, UTAH 84065 PHONE: (801) 571-2028	DWG NO.	M-01	
	SCALE: 1:7	SHEET 1 OF 1	



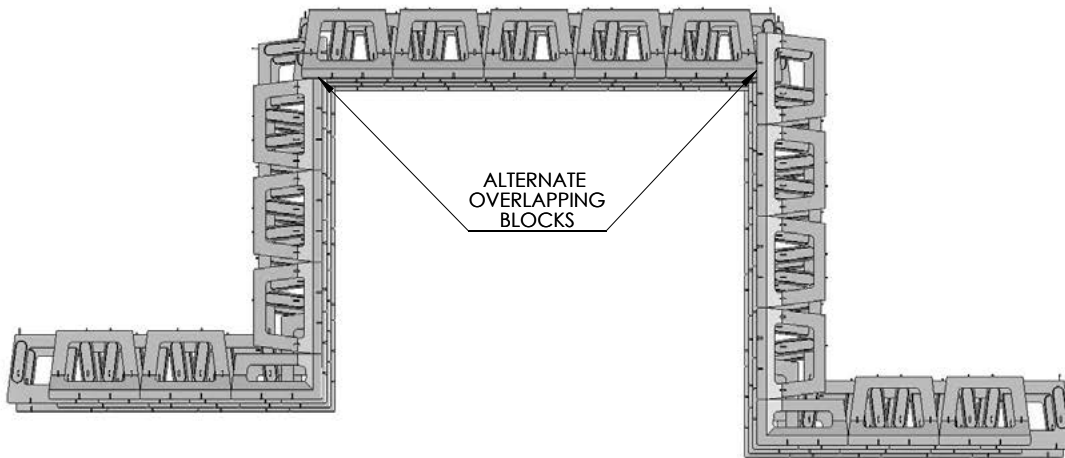
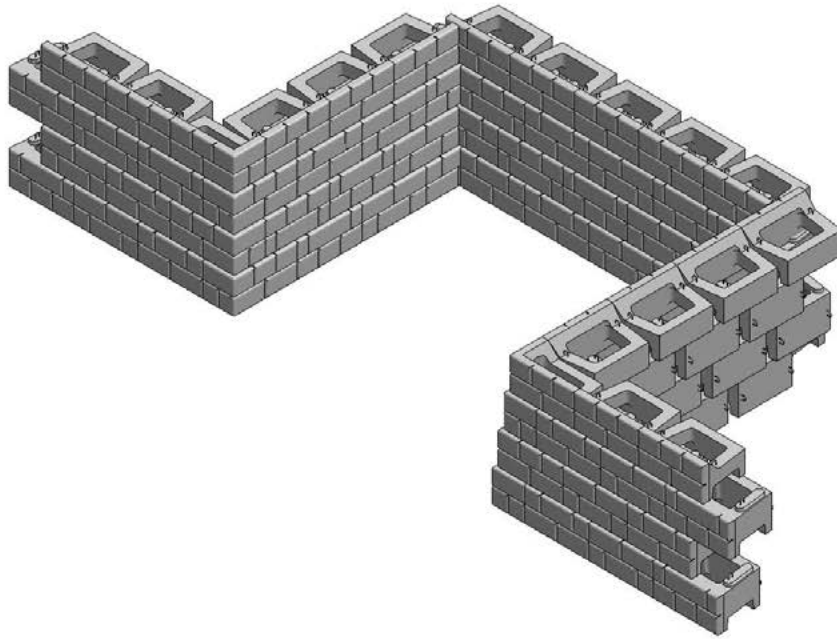
	DRAWN BY	DATE	TITLE:
	DAN BALLING	12/12/2013	POSITIVE CONNECTION
16500 SOUTH 500 WEST BLUFFDALE, UTAH 84065 PHONE: (801) 571-2028	DWG NO.		M-02
	SCALE: 1: 15		SHEET 1 OF 1



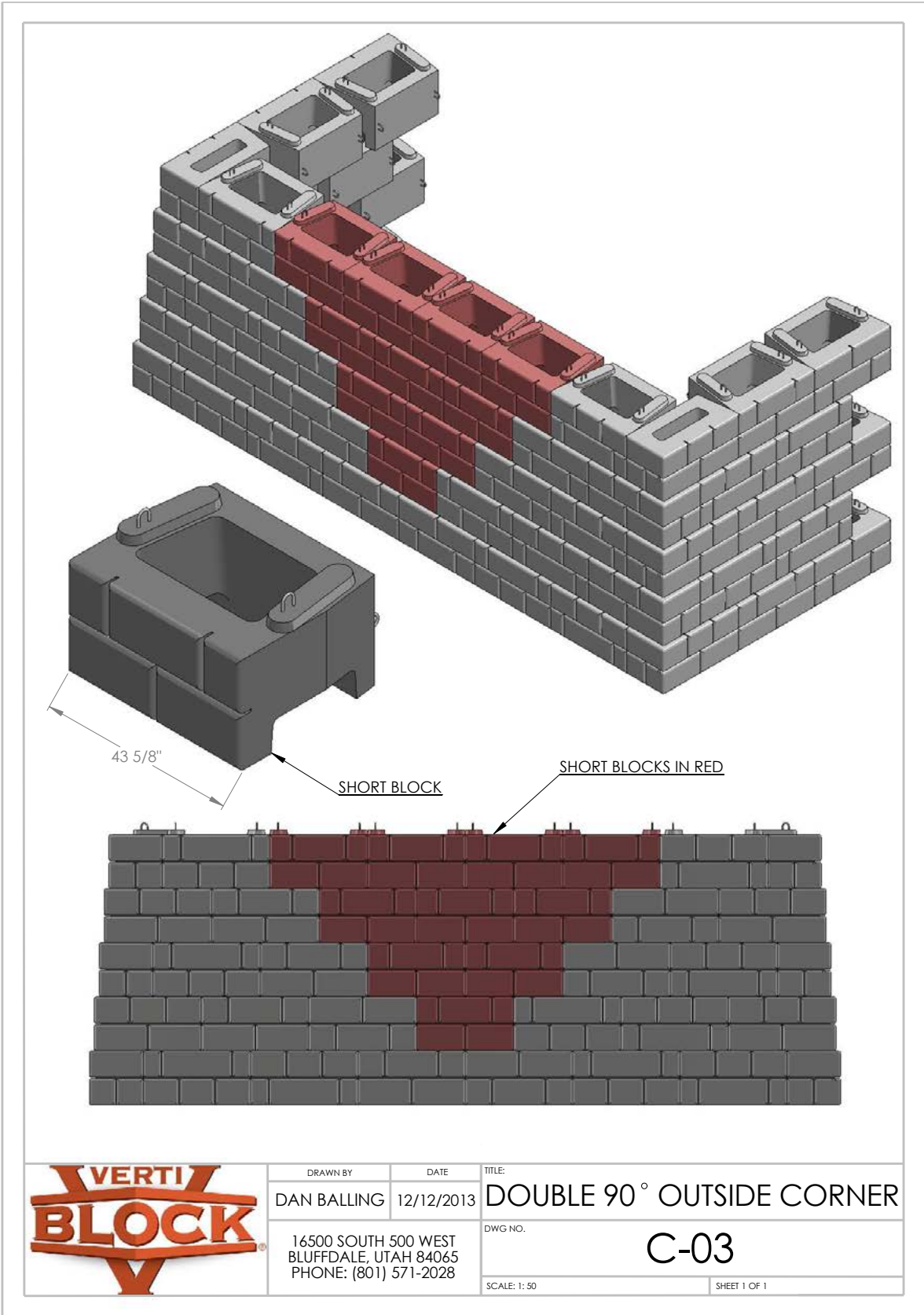
Construction Drawings



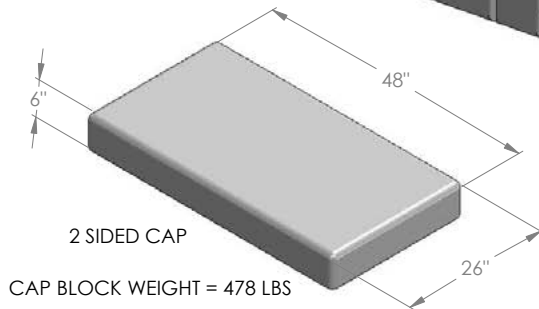
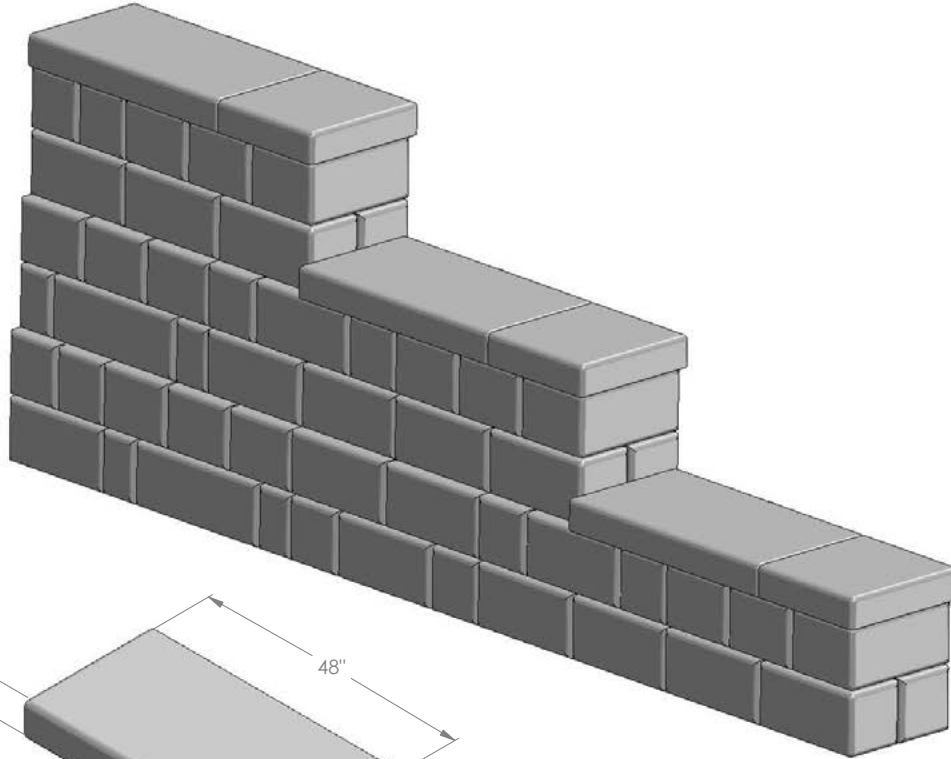
DRAWN BY	DATE	TITLE:
DAN BALLING	12/12/2013	45° OUTSIDE CORNER
16500 SOUTH 500 WEST BLUFFDALE, UTAH 84065 PHONE: (801) 571-2028		DWG NO.
		C-01
SCALE: 1: 50		SHEET 1 OF 1



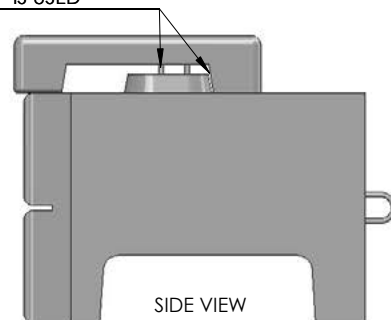
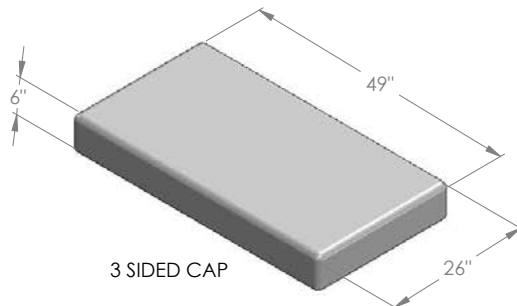
DRAWN BY	DATE	TITLE:
DAN BALLING	12/12/2013	DOUBLE 90° INSIDE CORNER
16500 SOUTH 500 WEST BLUFFDALE, UTAH 84065 PHONE: (801) 571-2028		DWG NO.
		C-02
		SCALE: 1: 50
		SHEET 1 OF 1



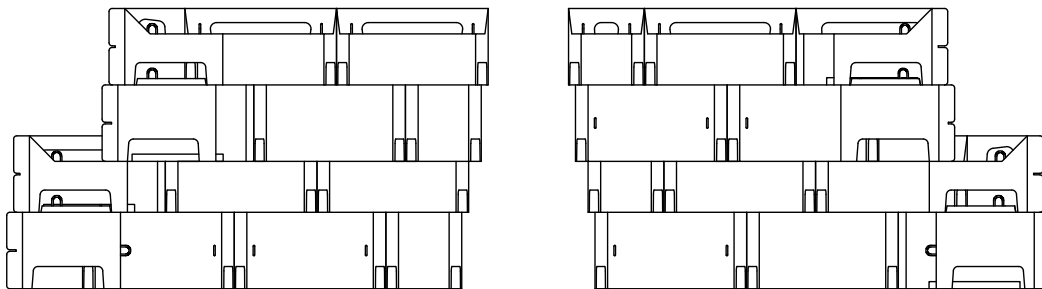
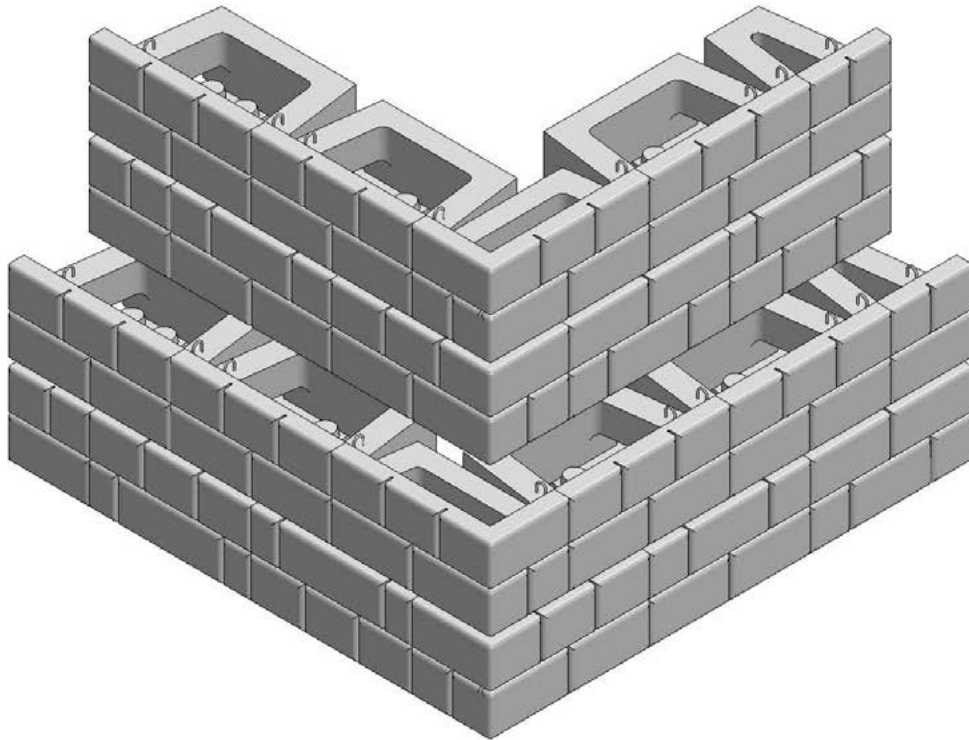
6 INCH CAP STEP-DOWN



CONFLICTING AREA WILL REQUIRE THE USE OF A 13" NUB BLOCKOUT OR SAW CUT AND REMOVAL OF PICK POINT WHEN CAP IS USED



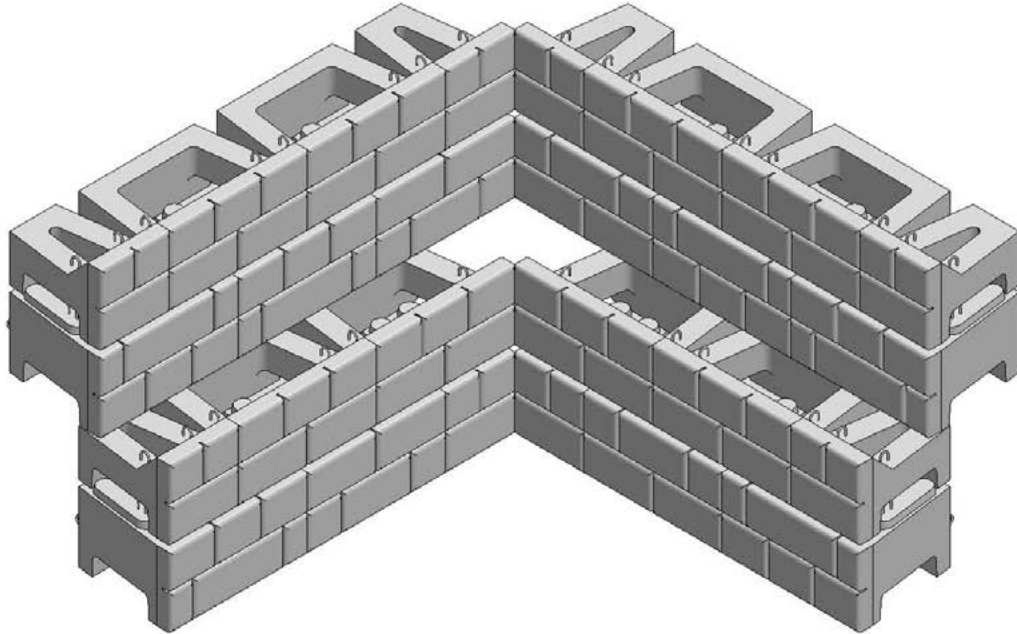
DRAWN BY	DATE	TITLE:
DAN BALLING	12/18/2013	6" CAP BLOCK SCENARIO
16500 SOUTH 500 WEST BLUFFDALE, UTAH 84065 PHONE: (801) 571-2028		DWG NO. CB-01
SCALE: 1: 4		SHEET 1 OF 1



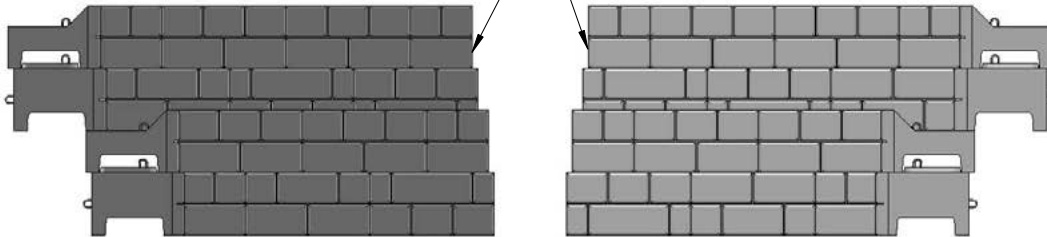
BACK SIDE VIEWS

NOTE:
REFERENCE OUTSIDE CORNER DETAIL ON NUB BLOCKOUT

	DRAWN BY	DATE	TITLE:
	DAN BALLING	12/12/2013	PLANTER ROW OUTSIDE CORNER
	16500 SOUTH 500 WEST BLUFFDALE, UTAH 84065 PHONE: (801) 571-2028		DWG NO.
		SCALE: 1:4	PR-02
		SHEET 1 OF 1	

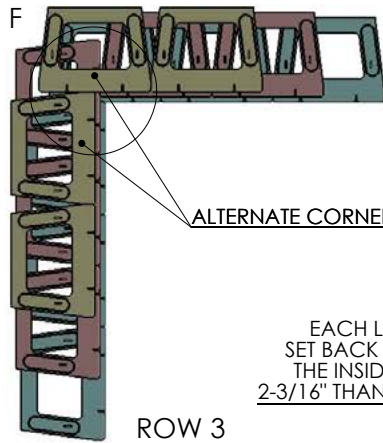
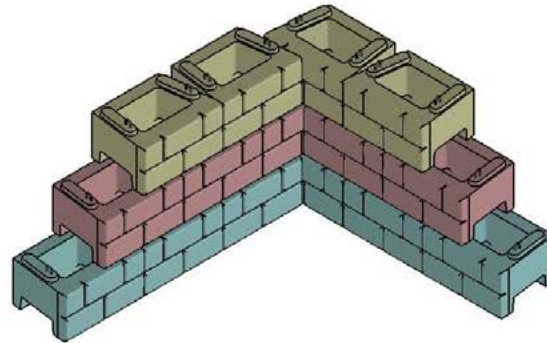


BATTER INCREASES BY 2 3/16" FOR EACH ROW

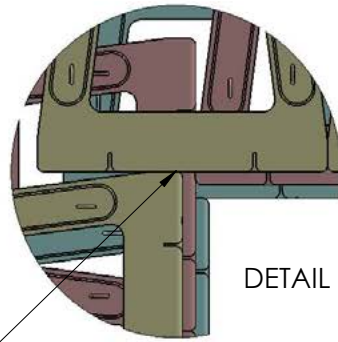


DRAWN BY	DATE	TITLE:
DAN BALLING	12/12/2013	PLANTER ROW INSIDE CORNER
16500 SOUTH 500 WEST BLUFFDALE, UTAH 84065 PHONE: (801) 571-2028		DWG NO.
		PR-03
SCALE: 1: 4		SHEET 1 OF 1

INTERLACED INSIDE CORNER DETAIL



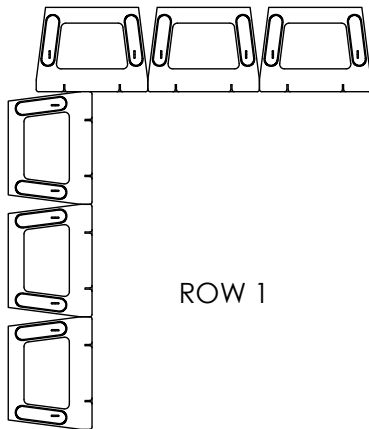
ALTERNATE CORNER OVERLAP



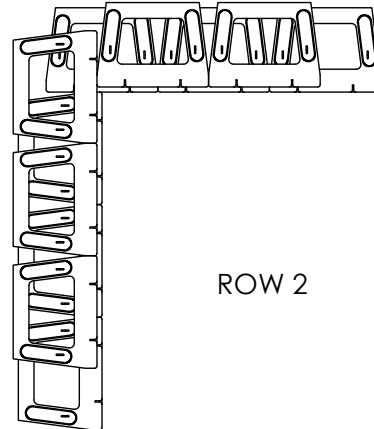
DETAIL F

EACH LEVEL WILL BE SET BACK AND TOWARD THE INSIDE CORNER BY 2-3/16" THAN THE ONE BELOW

ROW 3



ROW 1

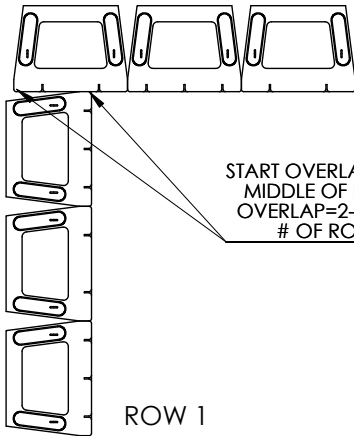
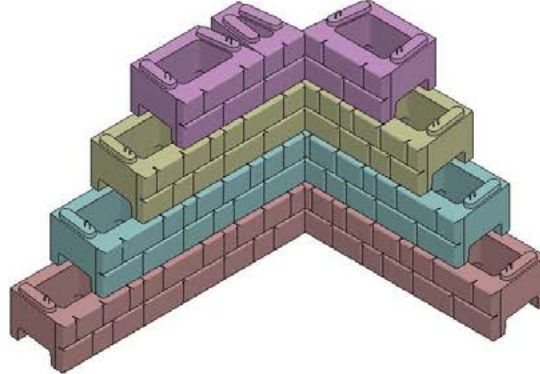


ROW 2

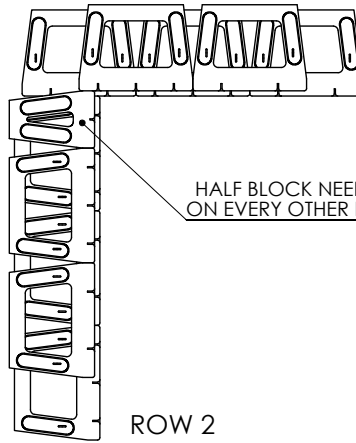


DRAWN BY	DATE	TITLE:
DAN BALLING	12/12/2013	INTERLACED INSIDE CORNER
16500 SOUTH 500 WEST BLUFFDALE, UTAH 84065 PHONE: (801) 571-2028		DWG NO.
		WD-1
SCALE: 1: 60		SHEET 1 OF 1

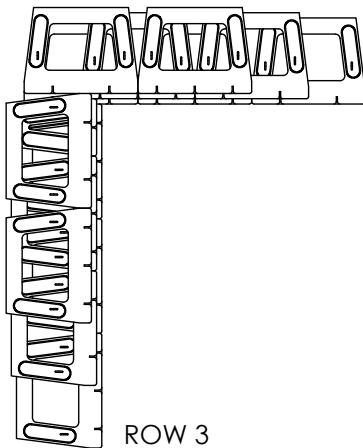
BUTT-JOINT INSIDE CORNER DETAIL



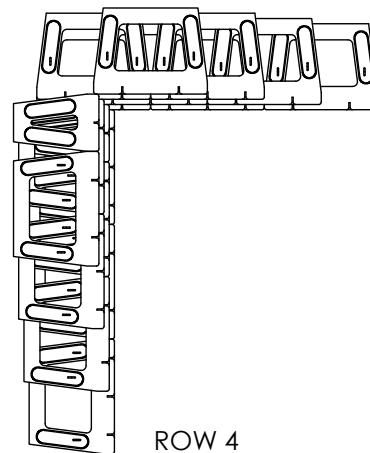
ROW 1



ROW 2



ROW 3



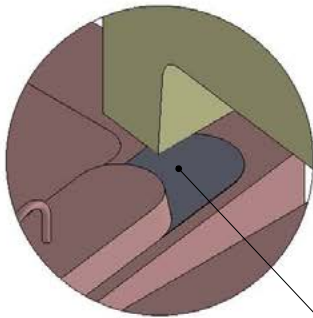
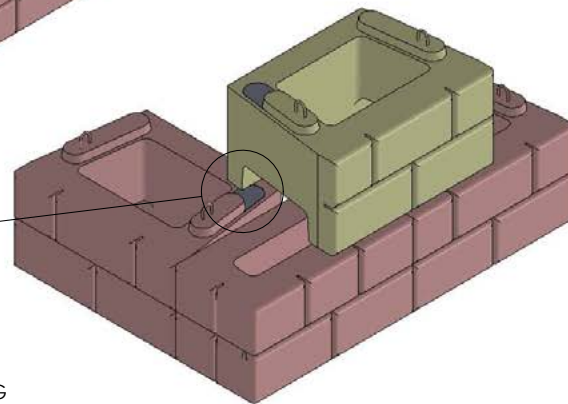
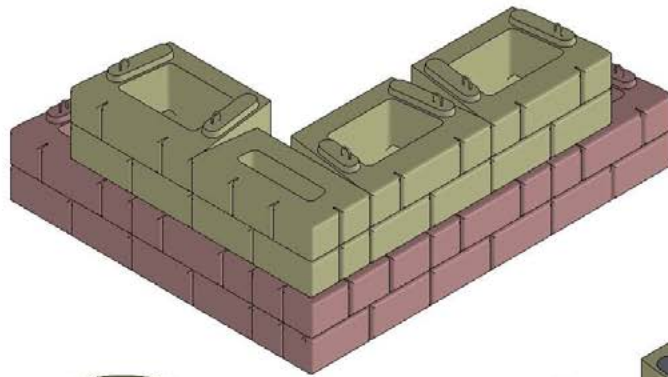
ROW 4



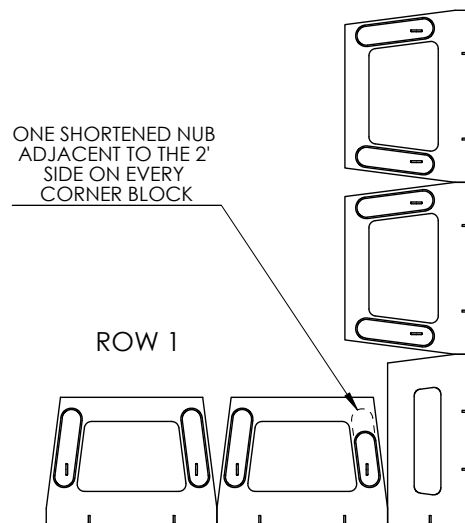
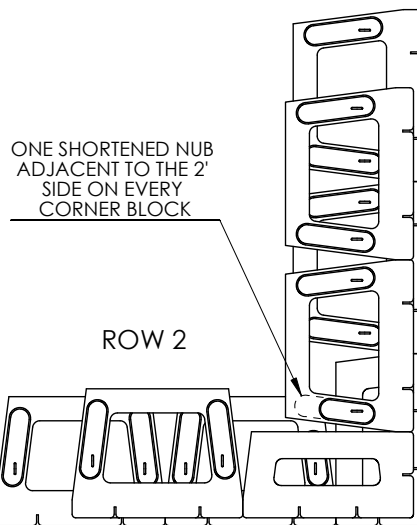
DRAWN BY	DATE
DAN BALLING	12/12/2013
16500 SOUTH 500 WEST BLUFFDALE, UTAH 84065 PHONE: (801) 571-2028	

TITLE:	BUTT-JOINT INSIDE CORNER
DWG NO.	WD-2
SCALE: 1: 60	SHEET 1 OF 1

OUTSIDE CORNER DETAIL

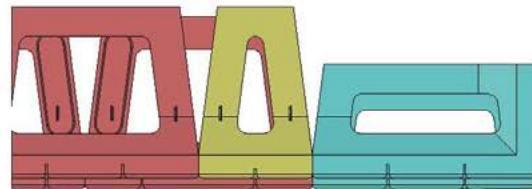
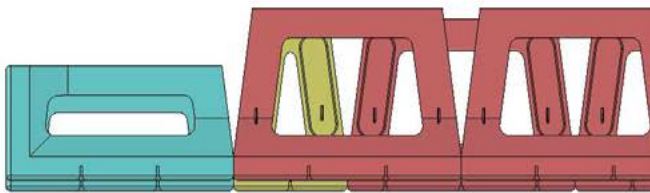
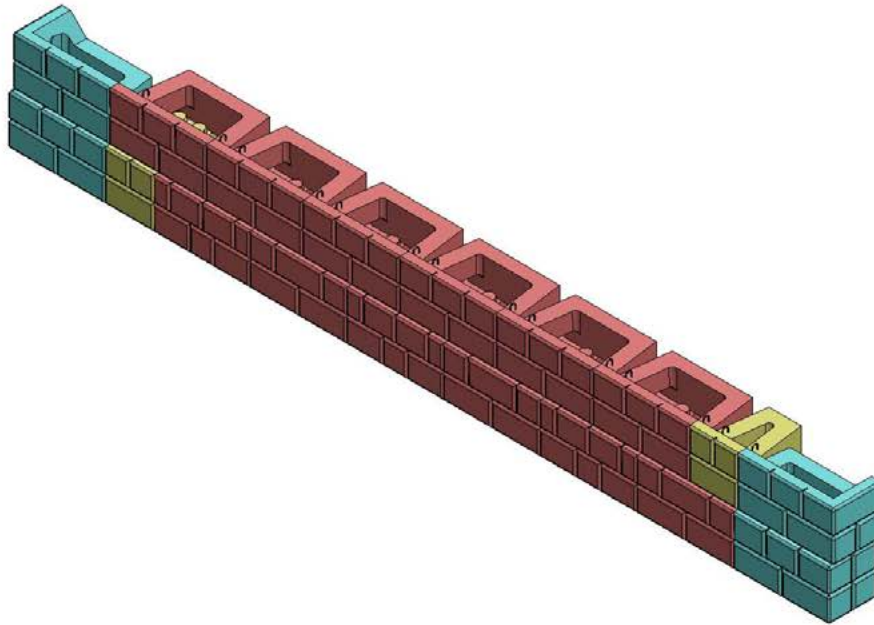


CONFLICTING POINT



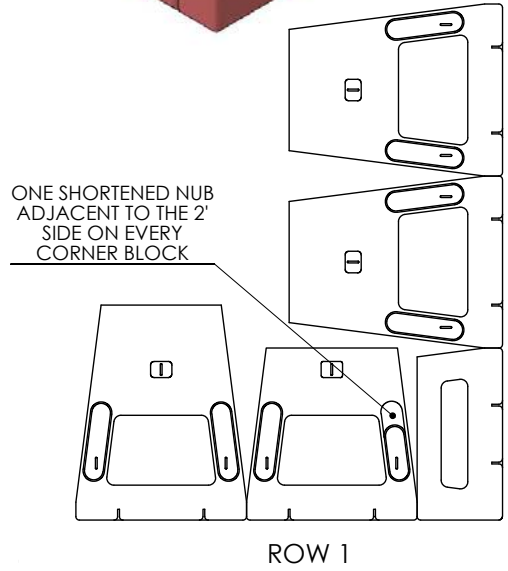
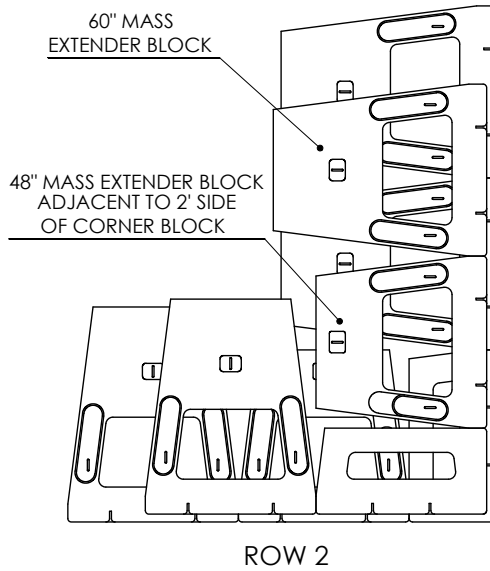
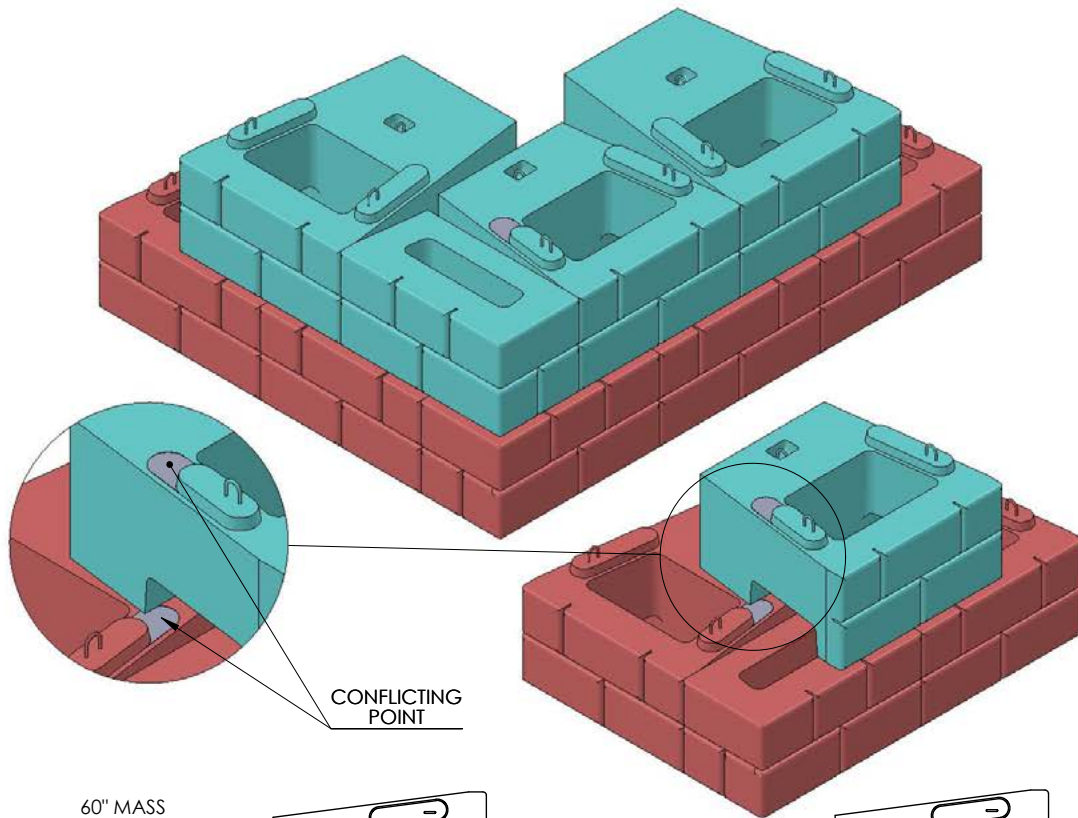
<small>DRAWN BY</small>	<small>DATE</small>	<small>TITLE:</small>	
DAN BALLING	12/12/2013	OUTSIDE CORNER	
16500 SOUTH 500 WEST BLUFFDALE, UTAH 84065 PHONE: (801) 571-2028		<small>DWG NO.</small>	WD-3
		SCALE: 1: 40	SHEET 1 OF 1

STRAIGHT FACE WITH SIMPLE 2' RETURNS



DRAWN BY	DATE	TITLE:
DAN BALLING	12/12/2013	2' RETURN
16500 SOUTH 500 WEST BLUFFDALE, UTAH 84065 PHONE: (801) 571-2028		DWG NO.
		WD-4
SCALE: 1: 40		SHEET 1 OF 1

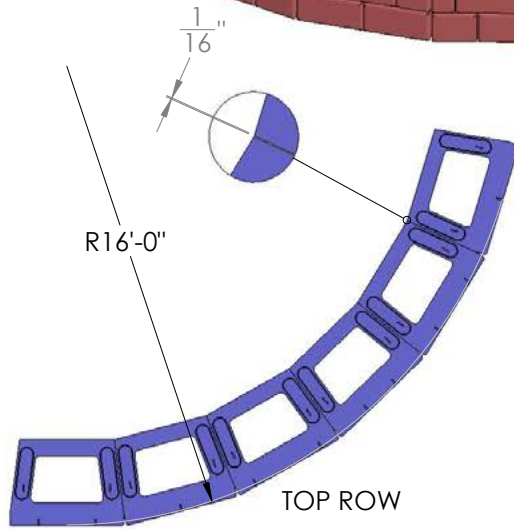
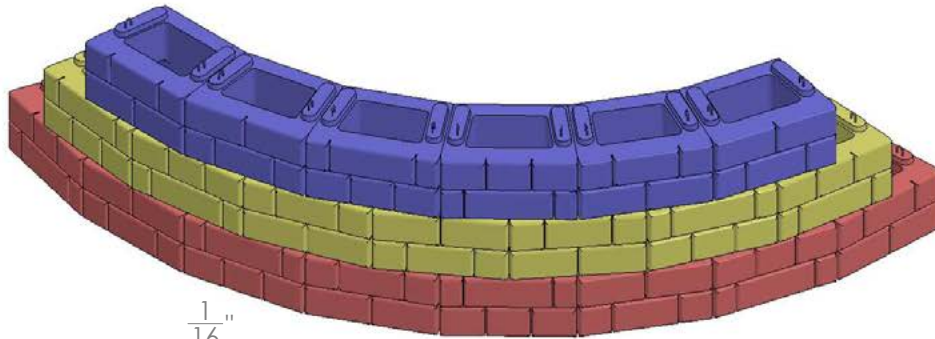
OUTSIDE CORNER WITH MASS EXTENDERS DETAIL



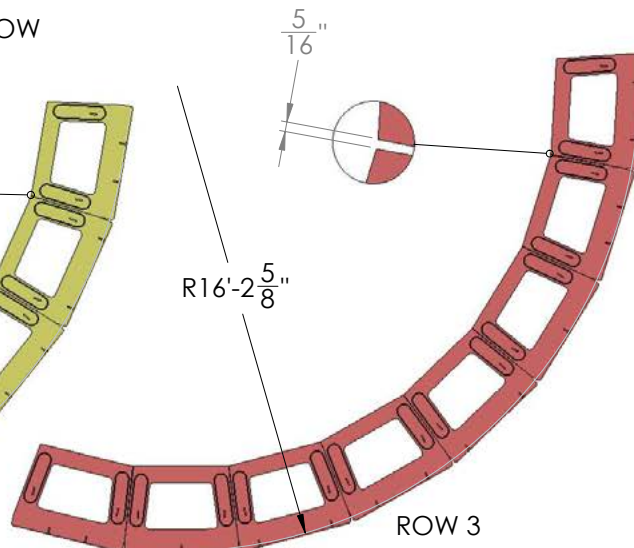
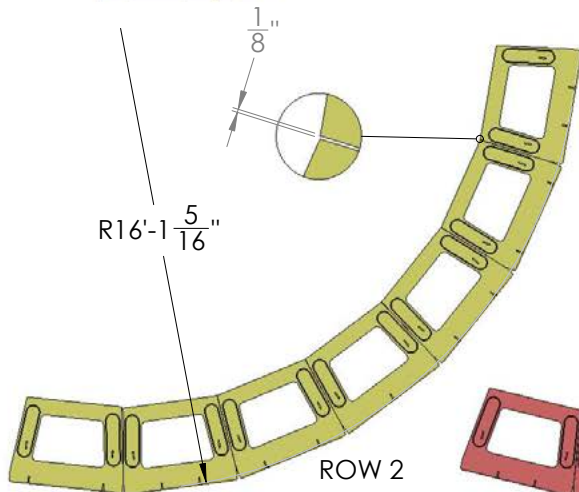
	DRAWN BY	DATE	TITLE:
	DAN BALLING	12/12/2013	OUTSIDE CORNER w/ ME
	16500 SOUTH 500 WEST BLUFFDALE, UTAH 84065 PHONE: (801) 571-2028		DWG NO. WD-5
SCALE: 1:40			SHEET 1 OF 1

Construction Drawings

OUTSIDE CURVE DETAIL



NOTE:
 TOP ROW MINIMUM RADIUS IS 16'.
 SETBACK IS 1 5/16" AND EACH ROW
 WILL INCREASE THE RADIUS BY 1 5/16"
 MORE THAN THE ROW ABOVE IT.



DRAWN BY	DATE	TITLE:
DAN BALLING	12/12/2013	OUTSIDE CURVE
16500 SOUTH 500 WEST BLUFFDALE, UTAH 84065 PHONE: (801) 571-2028		DWG NO.
		WD-6
SCALE: 1: 40		SHEET 1 OF 1

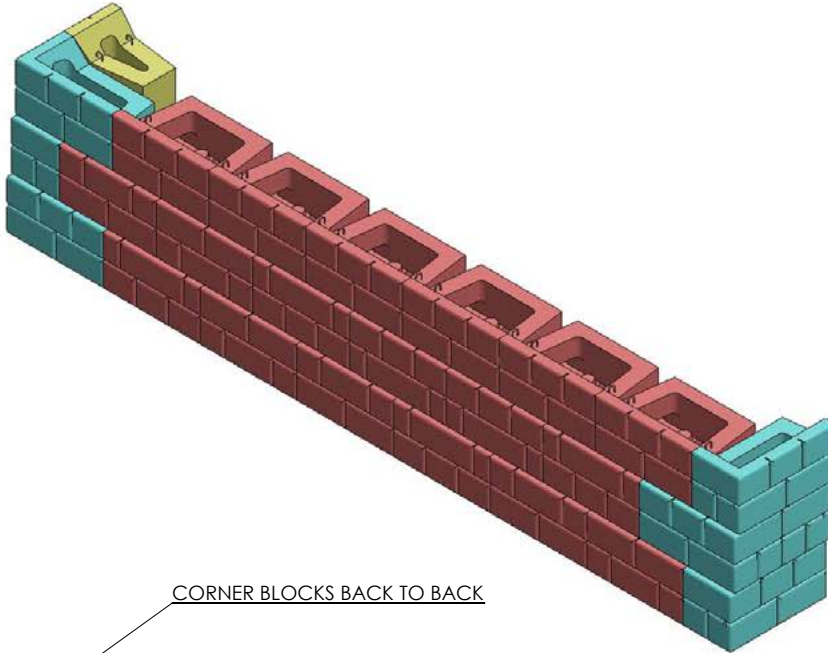
OUTSIDE CURVE

WD-6

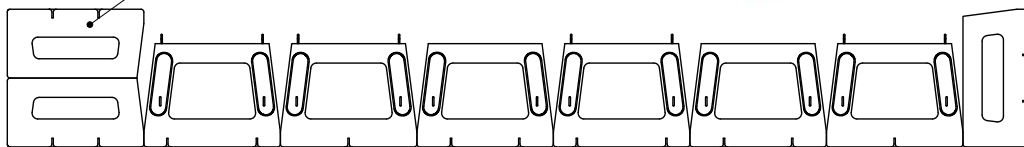
SCALE: 1: 40

SHEET 1 OF 1

STRAIGHT FACE WITH SIMPLE 4' RETURNS

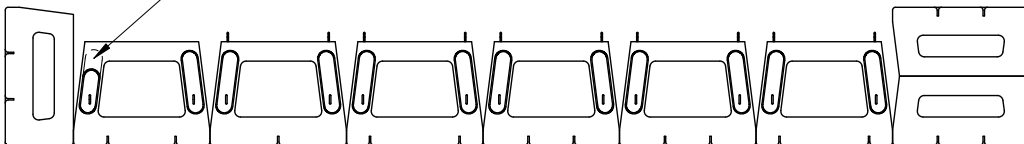


CORNER BLOCKS BACK TO BACK



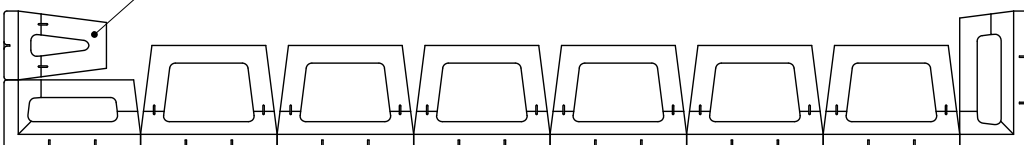
LEVEL 1

6-1/2" NUB BLOCKOUT NEEDED



LEVEL 2

HALF TOP BLOCK REQUIRES BLOCKOUT ON BLOCK BELOW

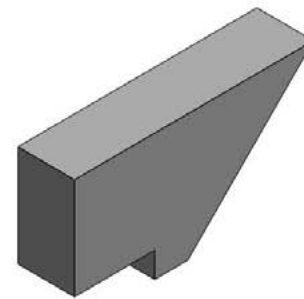
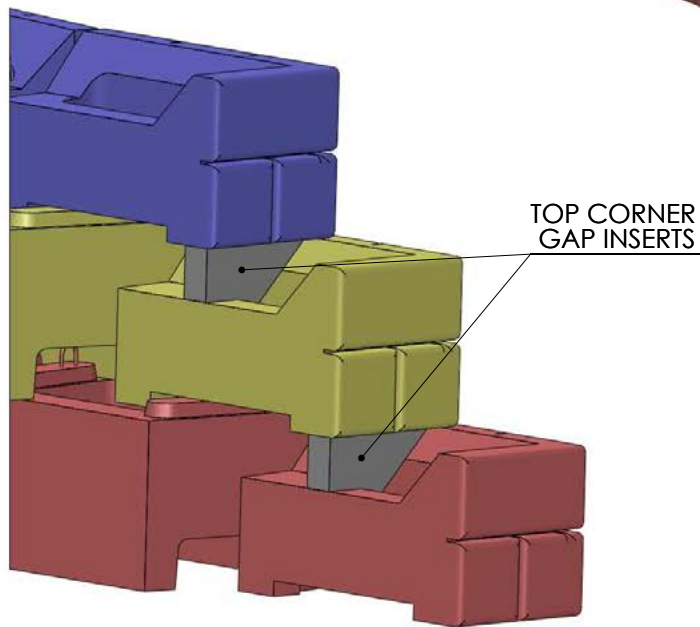
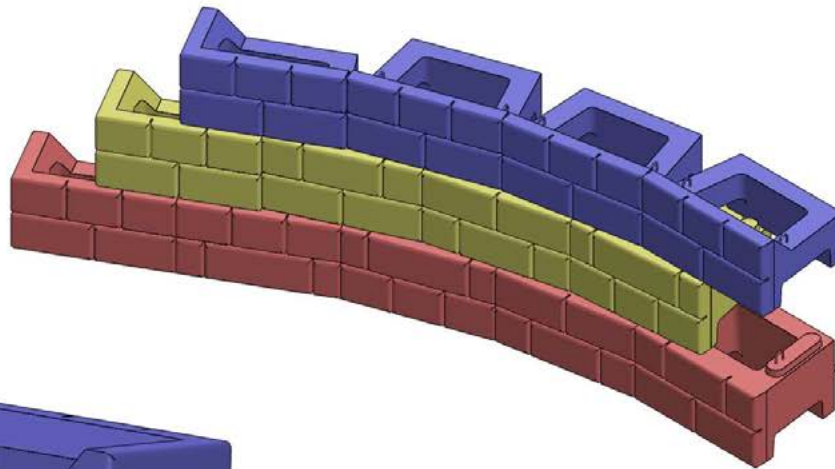


LEVEL 3



DRAWN BY DAN BALLING	DATE 12/12/2013	TITLE: 4' RETURN
16500 SOUTH 500 WEST BLUFFDALE, UTAH 84065 PHONE: (801) 571-2028		DWG NO. WD-07
SCALE: 1:4		SHEET 1 OF 1

2' STEP DOWN WITH TOP CORNER GAP INSERTS



TOP CORNER GAP INSERT



DRAWN BY	DATE	TITLE:
DAN BALLING	12/12/2013	2' STEP DOWN
16500 SOUTH 500 WEST BLUFFDALE, UTAH 84065 PHONE: (801) 571-2028		DWG NO.
		WD-8
SCALE: 1: 40		SHEET 1 OF 1

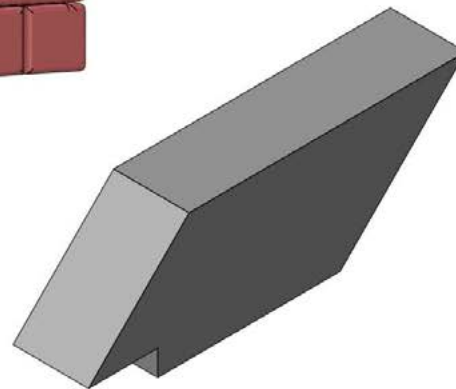
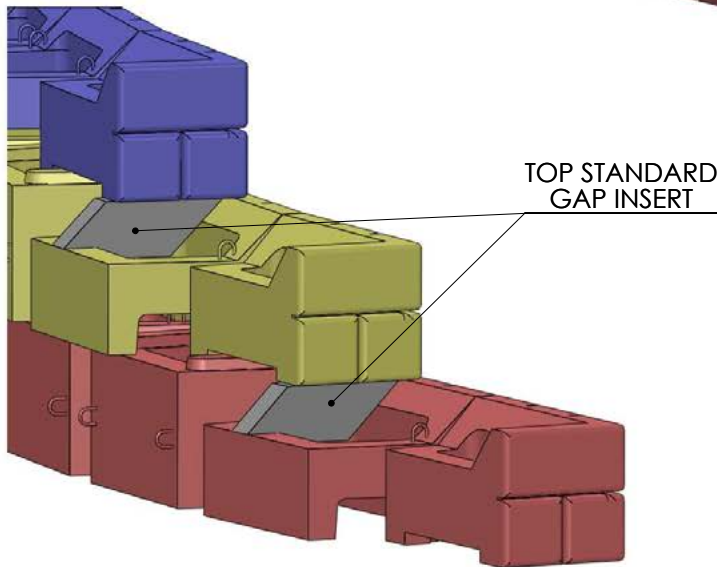
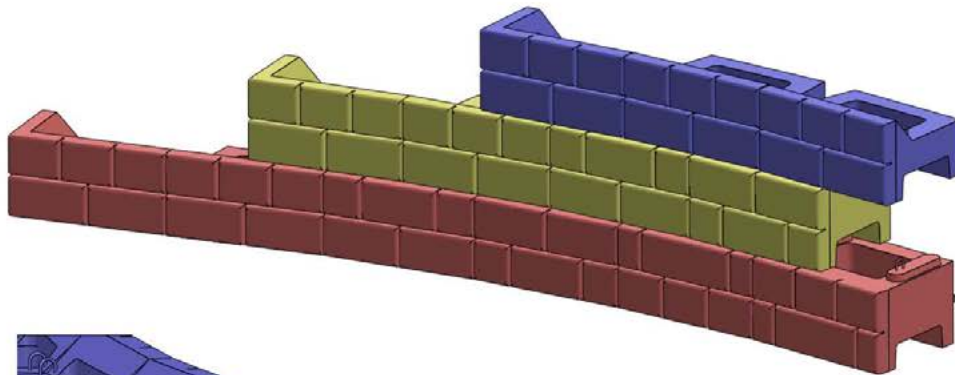
2' STEP DOWN

WD-8

SCALE: 1: 40

SHEET 1 OF 1

6' STEP DOWN WITH TOP STANDARD GAP INSERT

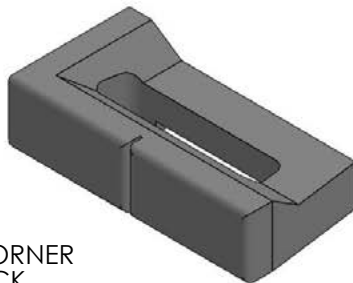
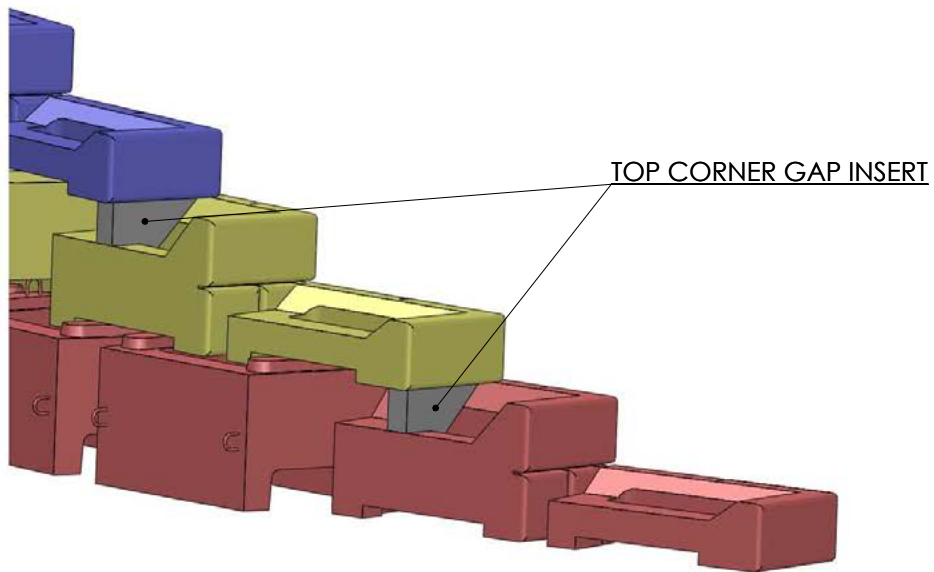
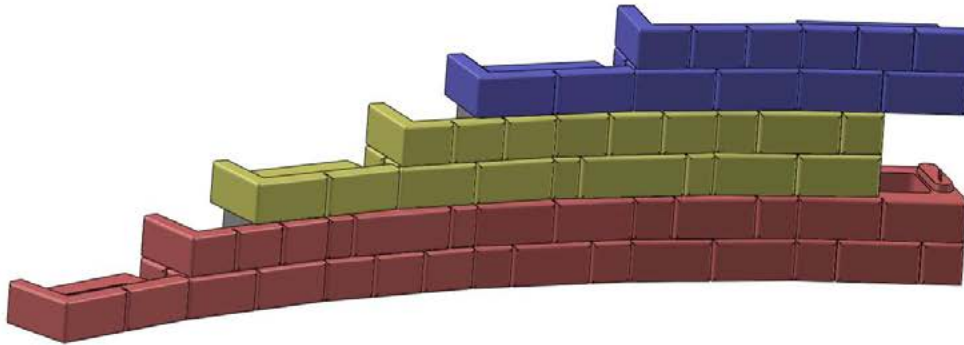


TOP STANDARD GAP INSERT

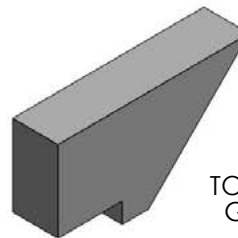


DRAWN BY	DATE	TITLE:
DAN BALLING	12/12/2013	6' STEP DOWN
16500 SOUTH 500 WEST BLUFFDALE, UTAH 84065 PHONE: (801) 571-2028		DWG NO.
		WD-9
SCALE: 1: 40		SHEET 1 OF 1

6' STEP DOWN WITH HALF-STEP BLOCK AND TOP CORNER GAP INSERT



HALF-STEP CORNER
TOP BLOCK

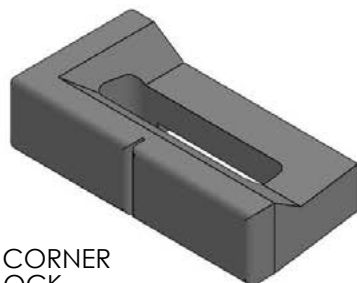
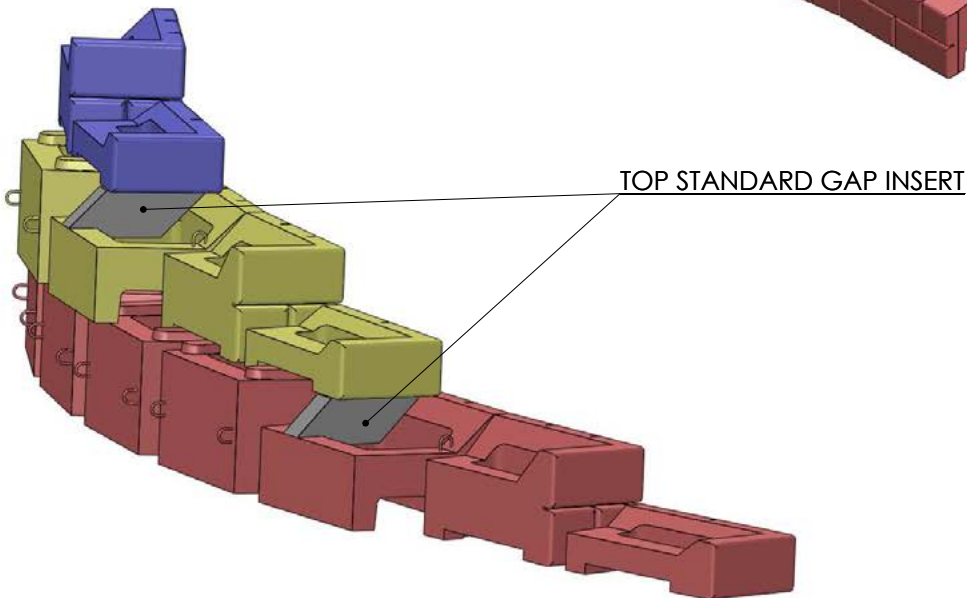
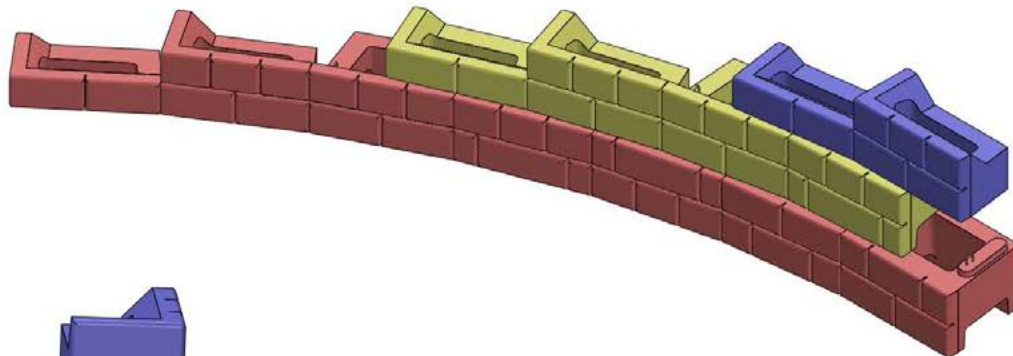


TOP CORNER
GAP INSERT

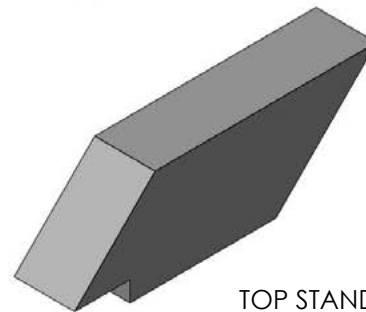


DRAWN BY	DATE	TITLE:
DAN BALLING	12/12/2013	6' STEP W/ HALF STEP BLOCK
16500 SOUTH 500 WEST BLUFFDALE, UTAH 84065 PHONE: (801) 571-2028		DWG NO.
		WD-10
SCALE: 1: 40		SHEET 1 OF 1

**10' STEP DOWN WITH HALF-STEP BLOCK
AND TOP STANDARD GAP INSERT**



HALF-STEP CORNER
TOP BLOCK

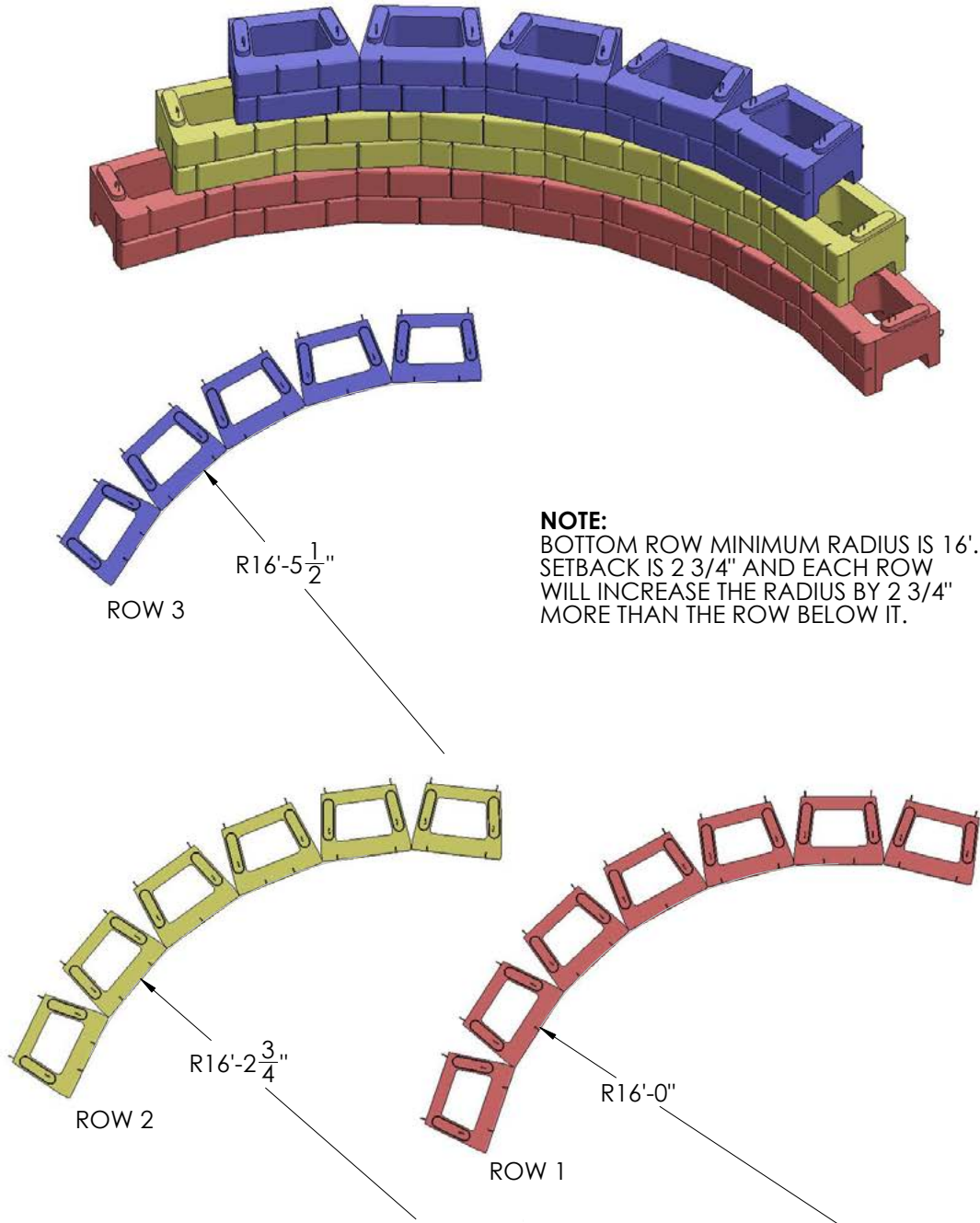


TOP STANDARD
GAP INSERT

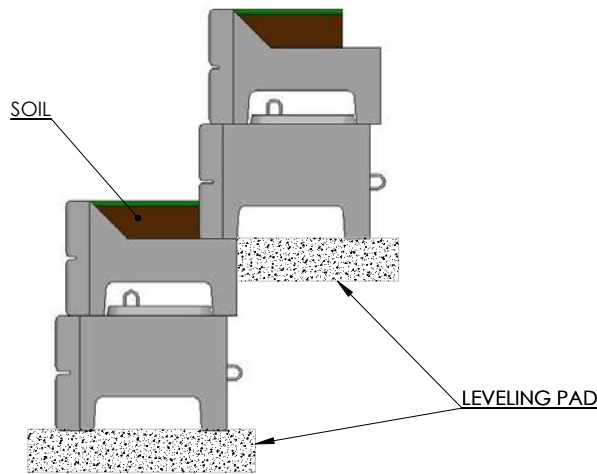
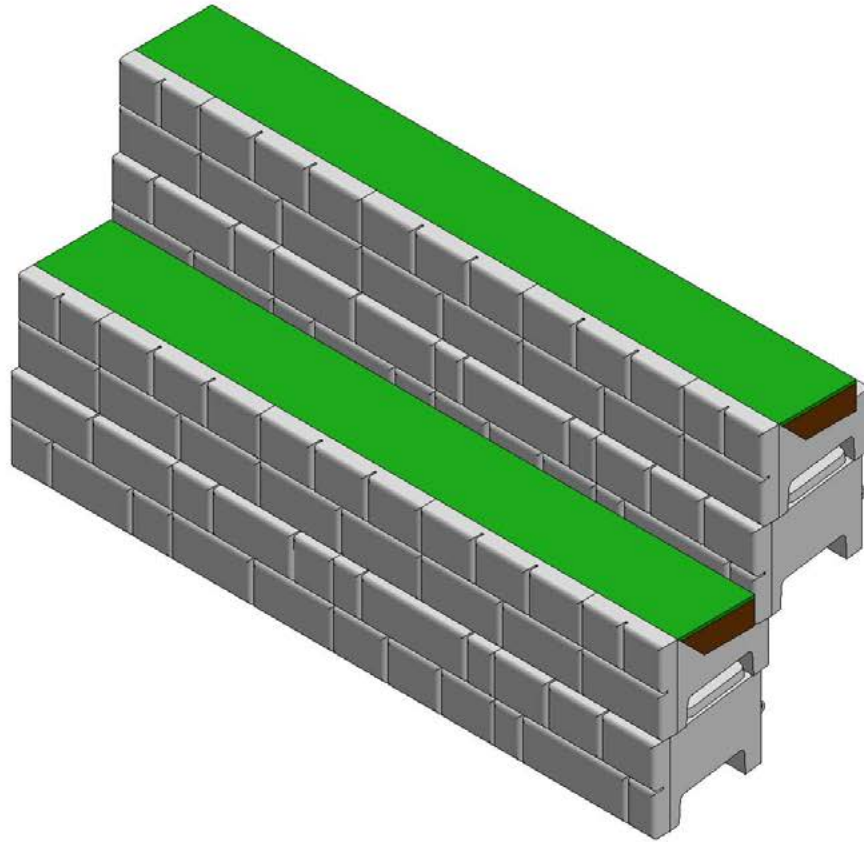


DRAWN BY	DATE	TITLE:
DAN BALLING	12/12/2013	10' STEP W/ HALF STEP BLOCK
16500 SOUTH 500 WEST BLUFFDALE, UTAH 84065 PHONE: (801) 571-2028		DWG NO.
		WD-11
SCALE: 1: 40		SHEET 1 OF 1

INSIDE CURVE DETAIL

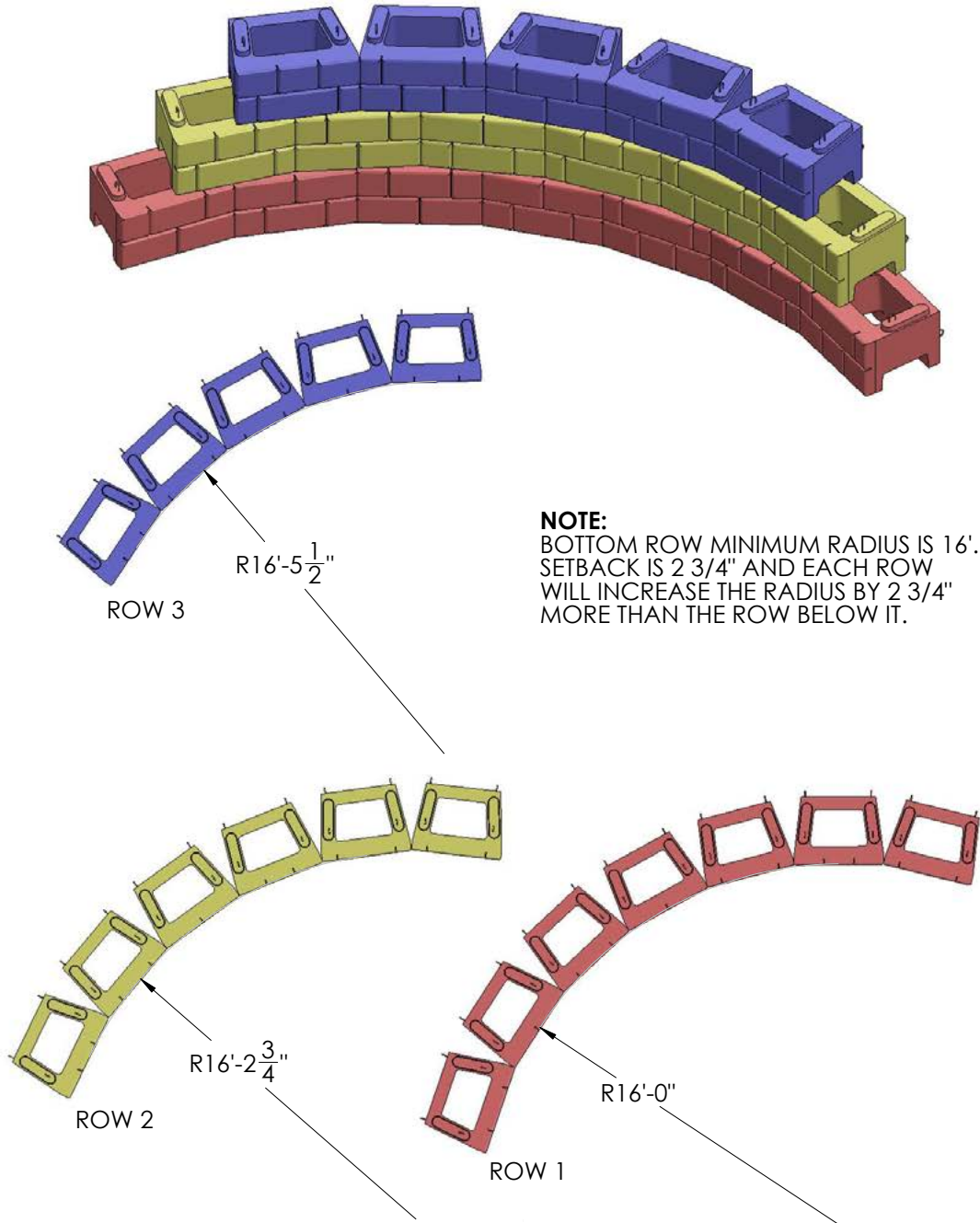


DRAWN BY	DATE	TITLE:
DAN BALLING	12/12/2013	INSIDE CURVE
16500 SOUTH 500 WEST BLUFFDALE, UTAH 84065 PHONE: (801) 571-2028		DWG NO.
		WD-12
SCALE: 1: 40		SHEET 1 OF 1

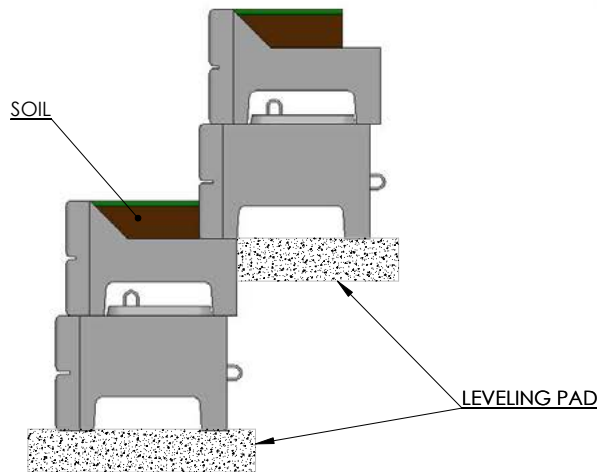
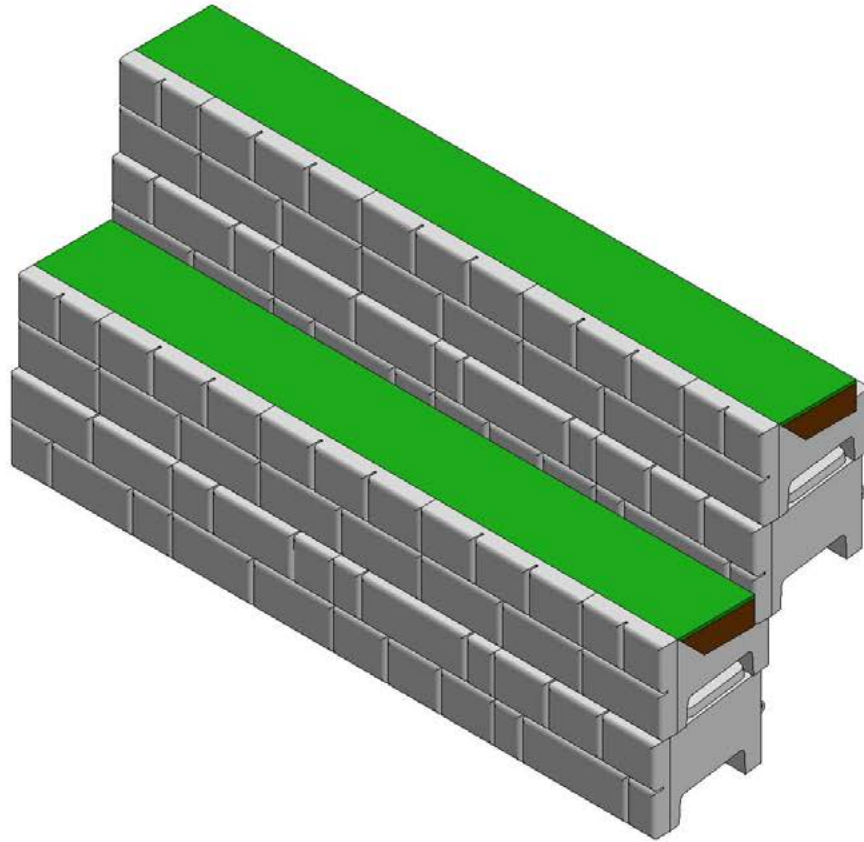


DRAWN BY	DATE	TITLE:
DAN BALLING	12/12/2013	PLANTER ROW WALL
16500 SOUTH 500 WEST BLUFFDALE, UTAH 84065 PHONE: (801) 571-2028		DWG NO.
		PR-01
SCALE: 1:4		SHEET 1 OF 1

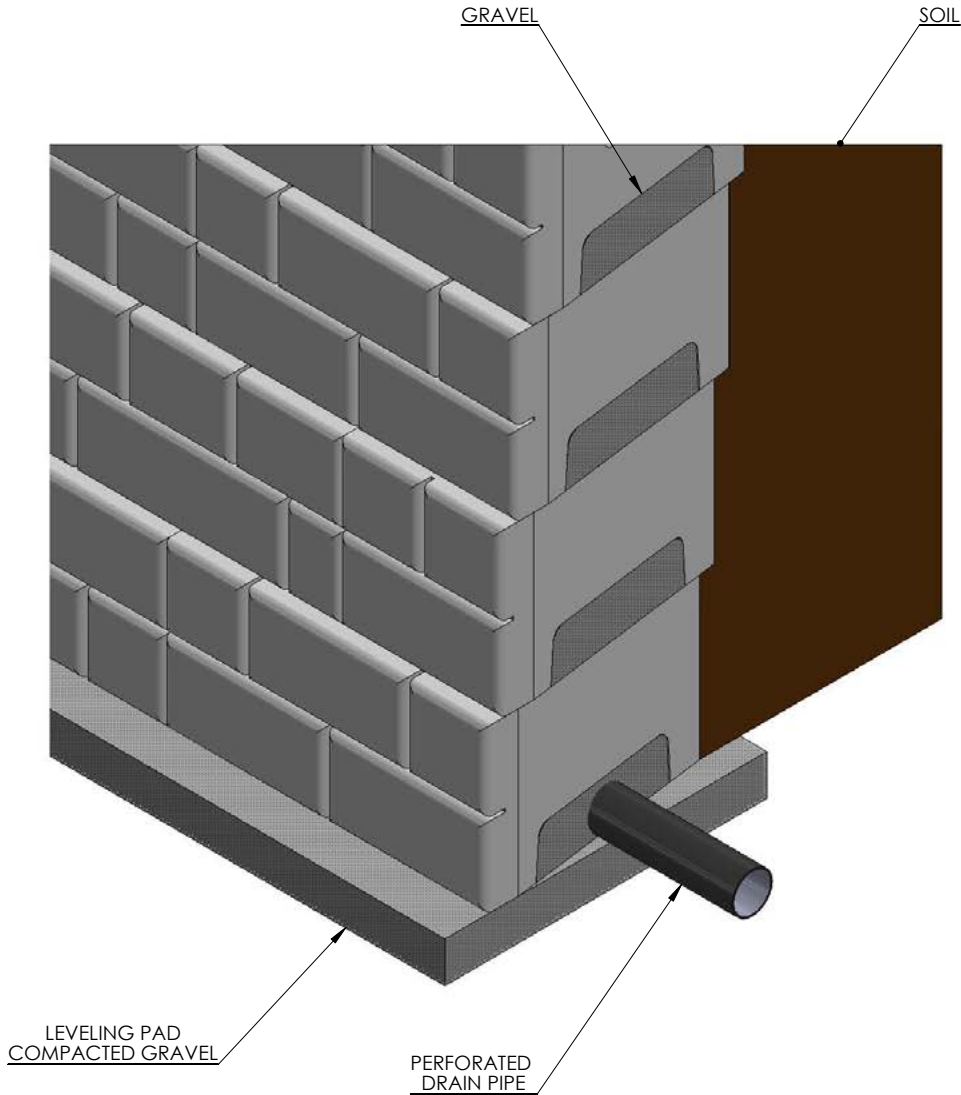
INSIDE CURVE DETAIL



DRAWN BY	DATE	TITLE:
DAN BALLING	12/12/2013	INSIDE CURVE
16500 SOUTH 500 WEST BLUFFDALE, UTAH 84065 PHONE: (801) 571-2028		DWG NO.
		WD-12
SCALE: 1: 40		SHEET 1 OF 1



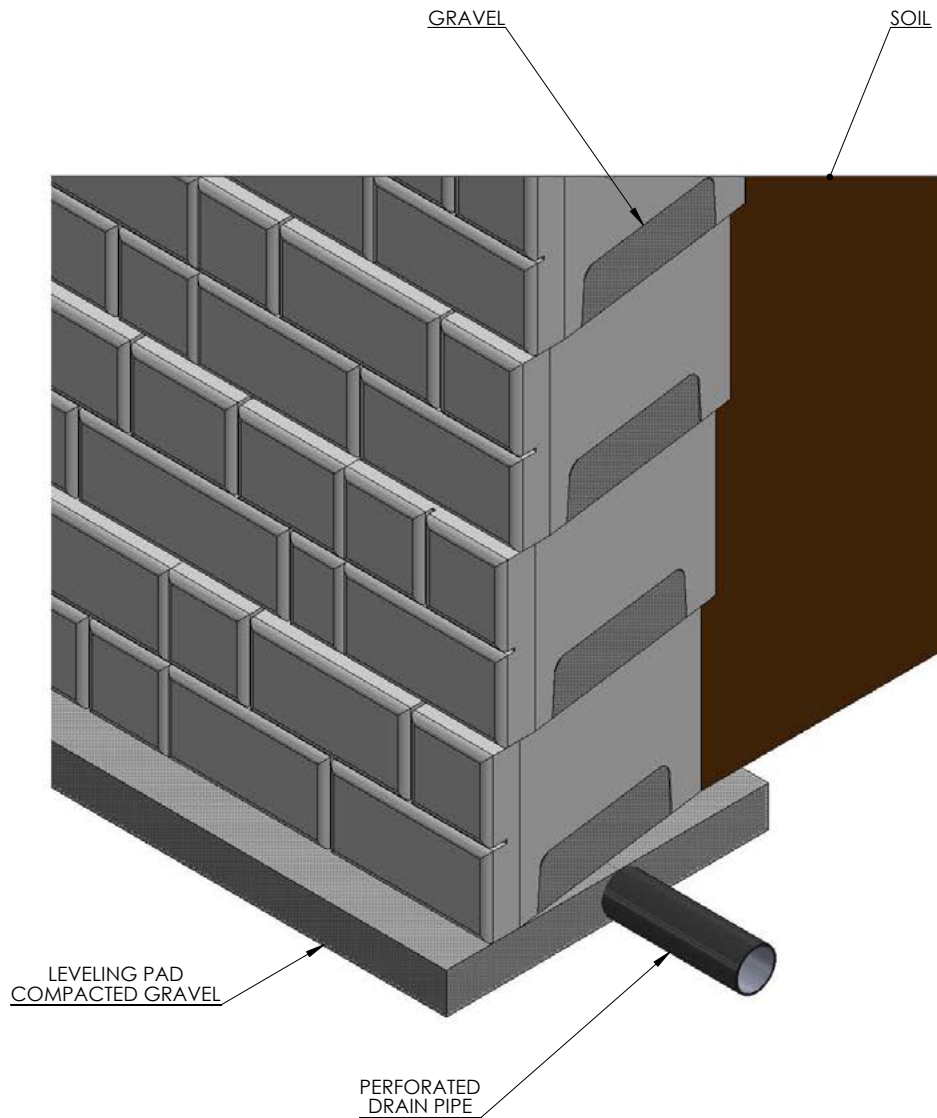
DRAWN BY	DATE	TITLE:
DAN BALLING	12/12/2013	PLANTER ROW WALL
16500 SOUTH 500 WEST BLUFFDALE, UTAH 84065 PHONE: (801) 571-2028		DWG NO.
		PR-01
SCALE: 1:4		SHEET 1 OF 1



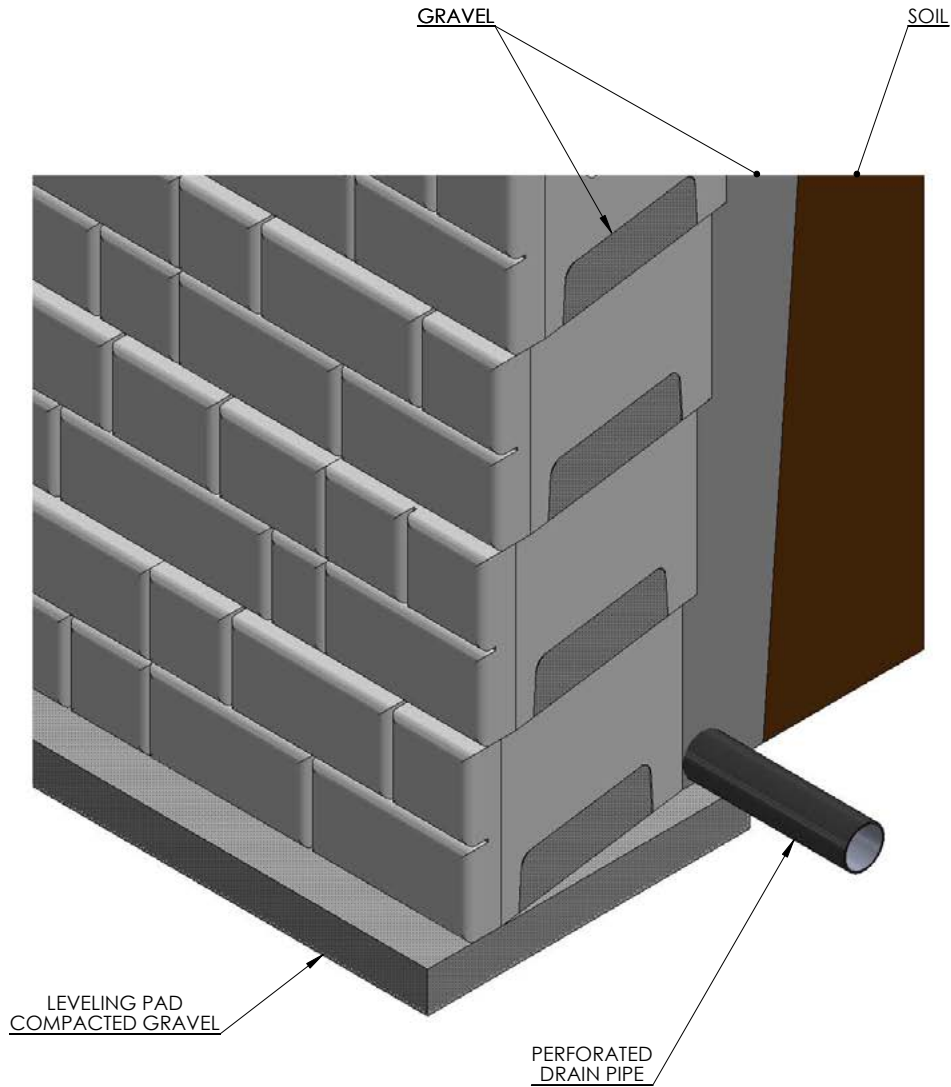
DRAIN PIPE IS PLACED INSIDE GAP AT THE BOTTOM OF THE BLOCK AND ON TOP OF THE LEVELING PAD THEN COVERED WITH GRAVEL.



DRAWN BY	DATE	TITLE:
DAN BALLING	12/18/2013	DRAIN PLACEMENT-OPTION # 1
16500 SOUTH 500 WEST BLUFFDALE, UTAH 84065 PHONE: (801) 571-2028		DWG NO.
		WD-16
SCALE: 1: 20		SHEET 1 OF 1



DRAWN BY	DATE	TITLE:
DAN BALLING	12/12/2013	DRAIN PLACEMENT-OPTION #2
16500 SOUTH 500 WEST BLUFFDALE, UTAH 84065 PHONE: (801) 571-2028		DWG NO.
		WD-17
SCALE: 1:20		SHEET 1 OF 1



DRAIN PIPE IS PLACED BEHIND THE BLOCK AND ON TOP OF THE LEVELING PAD.
 THIS OPTION REQUIRES 1' OF LOOSE GRAVEL BEHIND THE WALL.
 IF DRAINAGE IS A MAJOR CONCERN FOR AN APPLICATION THIS OPTION
 MAY BE USED ALONG WITH OPTION 1 OR 2



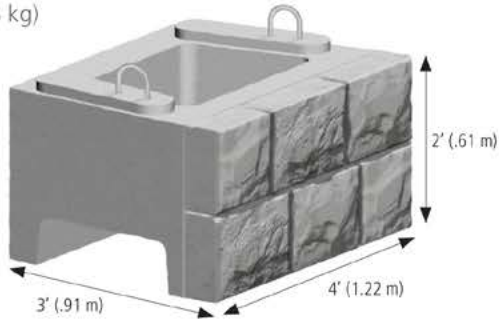
DRAWN BY	DATE	TITLE:
DAN BALLING	12/18/2013	DRAIN PLACEMENT-OPTION #3
16500 SOUTH 500 WEST BLUFFDALE, UTAH 84065 PHONE: (801) 571-2028		DWG NO.
		WD-18
SCALE: 1: 20		SHEET 1 OF 1



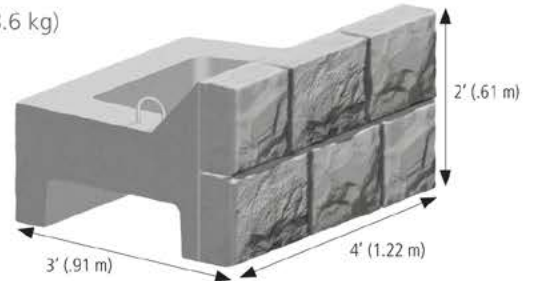
Verti-Block Units

Verti-Block is available in a range of shapes to accommodate all your landscape design needs

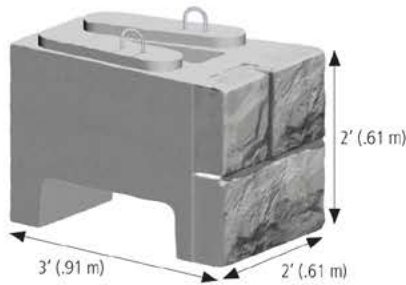
Standard Block
1,755 lbs. (789.8 kg)



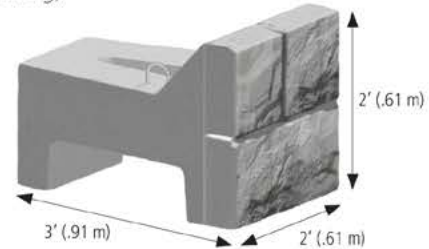
Top Block
1,308 lbs. (588.6 kg)



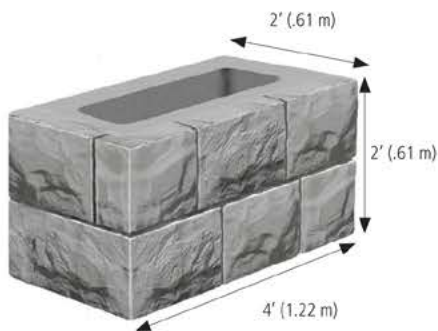
Half Block
1,066 lbs. (479.7 kg)



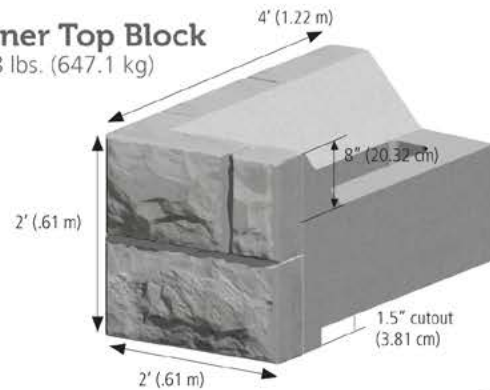
Half Top Block
741 lbs. (333.4 kg)



Corner Block
1,596 lbs. (718.2 kg)



Corner Top Block
1,438 lbs. (647.1 kg)



Mail
PO Box 2347
Sandy, UT 84091

Plant
16500 South 500 West
Bluffdale, UT 84065

Phone 801-571-2028
Fax 801-880-3650
Email sales@verti-crete.com
Web www.verti-crete.com

Verti-Block Units

Verti-Block is the latest innovative product from Verti-Crete, LLC. Recognized worldwide for outstanding aesthetics and a patented system that produces top-quality construction materials, Verti-Crete continues to help contractors, developers, and property owners with smart precast solutions.

Verti-Block may be purchased through a local, licensed Verti-Block manufacturer. Please call 801-571-2028 to find a producer near you.