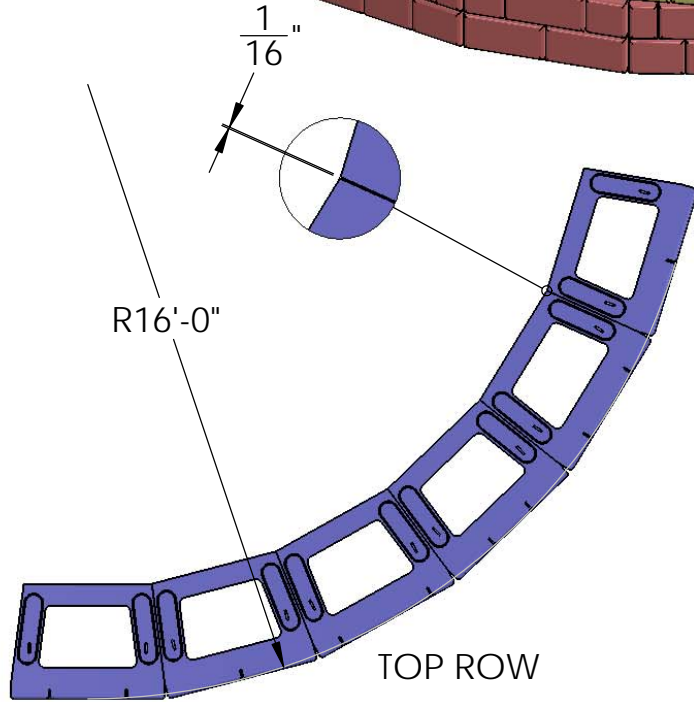
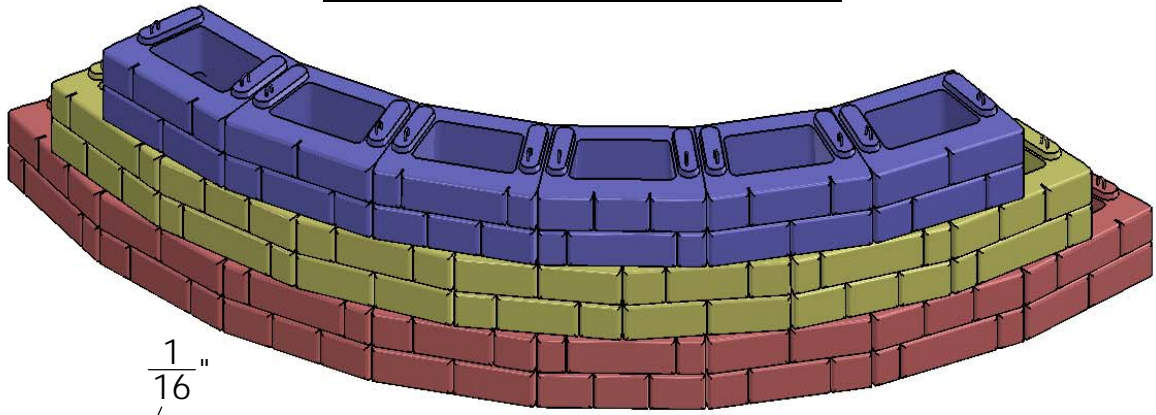
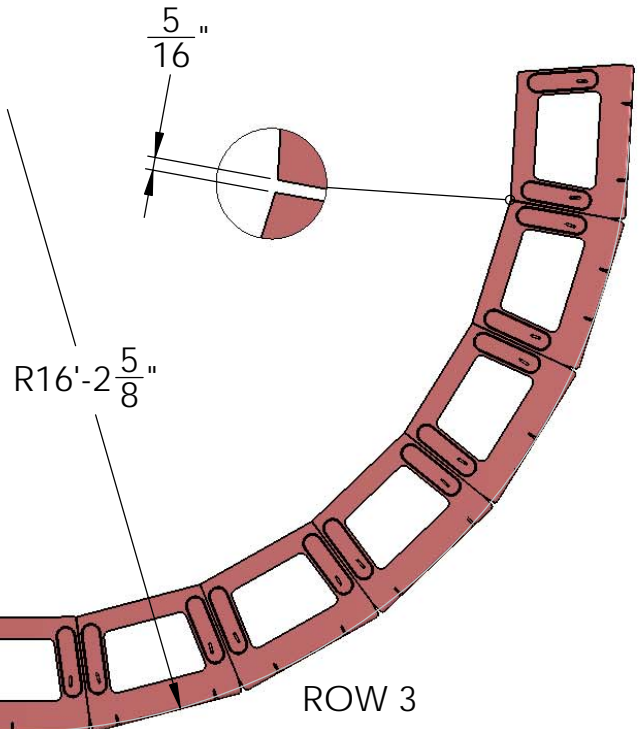
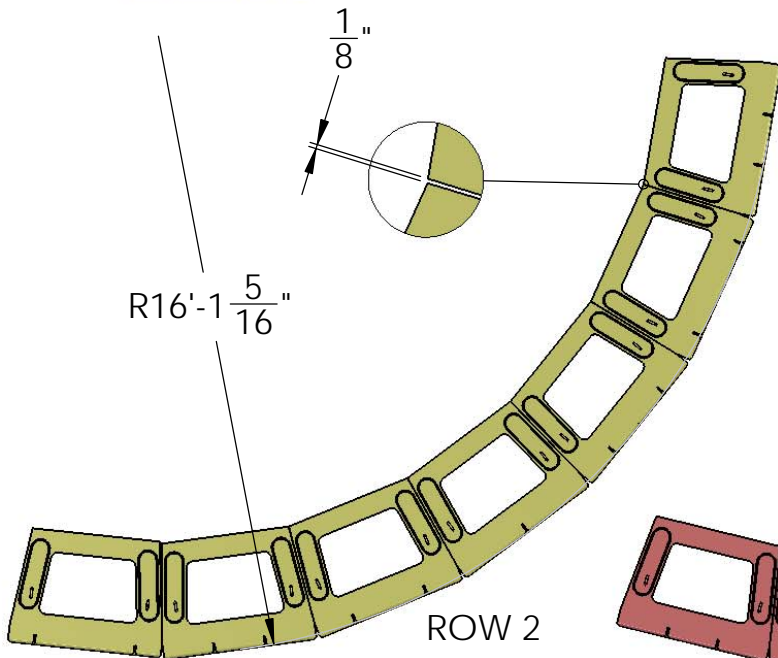


OUTSIDE CURVE DETAIL



NOTE:
 TOP ROW MINIMUM RADIUS IS 16'.
 SETBACK IS 1 5/16" AND EACH ROW
 WILL INCREASE THE RADIUS BY 1 5/16"
 MORE THAN THE ROW ABOVE IT.



DRAWN BY	DATE
R FONTANESI	3/8/2016

16500 SOUTH 500 WEST
 BLUFFDALE, UTAH 84065
 PHONE: (801) 571-2028

TITLE:

WD-06

DWG NO.

OUTSIDE CURVE

SCALE: 1: 30

SHEET 1 OF 1